



上海卡普灵流体技术有限公司是一家集研发、生产、销售、服务于一体的专业快速接头制造商。上海总部的技术团队有着二十多年的液压技术知识和经验，目前主要负责全国的技术支持、销售和售后服务，并通过引进德国VOSWINKEL技术工艺，学习消化吸收后，结合国内客户特点进行研发生产。

工厂配备有：全系列美国哈斯（HAAS）机床生产线，斗山（DOOSAN）机床，各种非标定制全自动、半自动快速接头装配机，先进的实验设备仪器，各种类型设备总数达40余台套。通过以上措施控制成本，保证质量，提供最具性价比的产品。

公司产品广泛应用于农业机械、特种车辆、工程机械、能源行业、船舶工业、冶金制造业以及工业设备等。公司坐落在上海浦东新区川沙工业园，拥有2400平米的生产仓储面积，库存充足，以满足各个应用行业的及时需求。

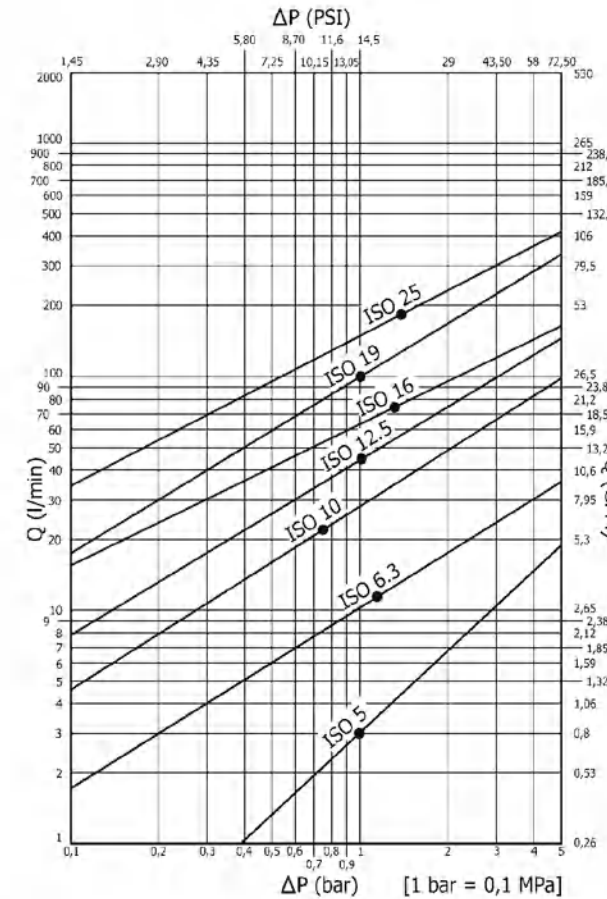
Shanghai Couplings Fluid Tec. Ltd (Shanghai K.S. Fluid Tec. Ltd) is a professional quick release couplings manufacturer integrating R&D, production, sales and service. The technical team has more than 20 years of hydraulic technology knowledge and experience. Currently, it is mainly responsible for global technical support, sales and after-sales service, and through the introduction of German technology, after learning, digestion and absorption, combined with customer characteristics for production.

The factory is equipped with: a full series of American Haas (HAAS) machine tool production lines, Doosan (DOOSAN) machine tools, various non-standard customized automatic and semi-automatic quick coupling assembly machines, advanced experimental equipment and instruments, and a total of more than 40 sets of various types of equipment set.

Our products are widely used in agricultural machinery, special vehicles, construction machinery, energy industry, shipbuilding industry, metallurgical manufacturing and industrial equipment. It is located in Chuansha Industrial Zone, Pudong New Area, Shanghai, with a production and storage area of more than 2,400 square meters and sufficient inventory to meet the timely needs of various application industries.

目录 Catalogue

FH ISO 16028 平面系列	Flat Face
FU ISO 16028 平面公头泄压系列	Flat Face connect under pressure
FH/HP ISO 16028 平面超高压70Mpa	Flat Face High Pressure 70MPa
FT平面螺纹连接系列	Flat Face/Screw on
RK管道式平面螺纹连接系列	Pipeline Flat Face/ Screw on
RK/KL重载工况专用平面螺纹连接系列-专利产品	Flat Face/Screw on for heavy-duty industry - patented
SSL滑移专用组合模块系列	Combined block series for skid steer
MK组合版平面系列	Multi coupling systems
PAV ISO 7241-1 A锥面系列	Push Pull
PPK ISO 7241-1 A锥面系列	Push Pull
PBV ISO 7241-1 B锥面系列	Push Pull
PTK带泄压阀	Decompression Valve
HV锥面螺纹连接	Screw on/Wing nut
HS ISO 14541 锥面螺纹连接系列	Screw on
PVM超高压70Mpa ISO 14540	High pressure 70MPa
PVS超高压70Mpa ISO 14540	High pressure 70MPa
保护套	Dust cap



- 标准: ISO 16028
- 阀系统: 平面
- 锁紧方式: 钢球锁定
- 可选材质: 碳钢、316L不锈钢*
- 表面处理: Zn-Fe (CrIII) - Zn-Ni
- 可选螺纹: BSP- NPT - SAE
- 标准密封件: NBR
- 工作温度: -25°C+100°C
- 可选密封件: FKM, EPDM or more
- 工作压力: 350-400bar
- 带压操作: 不允许

- Standard: ISO 16028
- Occlusion: flat face
- Locking: radial balls
- Material: steel, stainless steel AISI 316L*
- Finishing: Zn-Fe (CrIII)- Zn-Ni
- Threads: BSP -NPT - SAE - METRIC
- Standard seals: NBR
- Working temperature: -25 °C +100 °C
- Optional seals: FKM, EPDM or more
- Working pressure: 350-400 bar
- Connection under pressure: not allowed

标准尺寸 Nominal size	工作压力 Working pressure	额定流量 Rated flow (ISO)	最大流量 Max flow rate	爆破压力 Burst pressure			溢流量 Fluid spillage	
				公头Male	母头Female	连接Coupled		
FH	ISO	Mpa	l/min	l/min	Mpa	Mpa	Mpa	cc
FH06	6.3	40	12	25	180	120	200	0.006
FH10	10	35	23	50	160	140	170	0.012
FH12	12.5	35	45	90	140	140	170	0.02
FH16	16	35	74	125	140	140	170	0.026
FH19	19	35	100	160	130	120	140	0.03
FH25	25	35	189	260	100	100	110	0.035

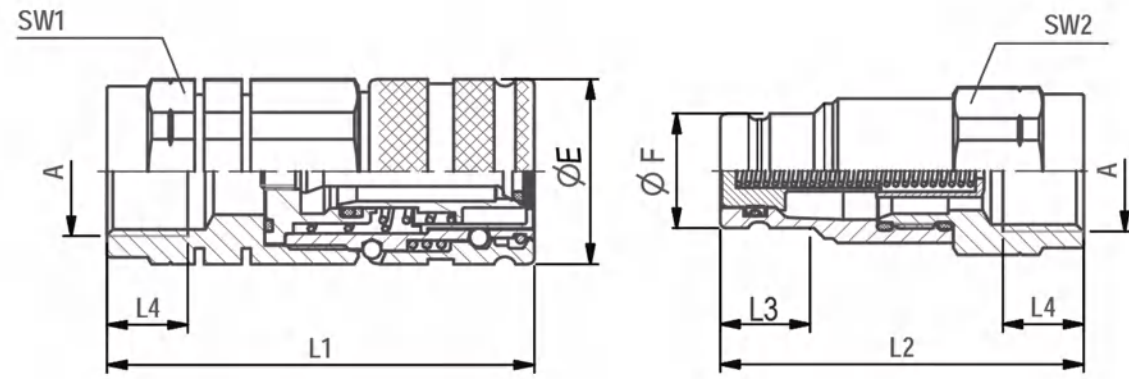
使用方法及安全警示:

- 请务必对接前清洁对接平面，避免污染物进入液压接头。
- 使用前，请确认流通的介质是否适用于快速接头。
- 使用前，请确认接头材质以及密封材质是否适用于该快速接头工况。
- 对接后请将推拉套筒旋转至安全锁定位置，以防意外断开。
- 带残压操作中的“残压”是指静压状态下的残存压力
- 液压系统存在动态压力的情况下，请勿对接或者断开快速接头。
- 液压系统油温高于80°C时，请勿对接或断开快速接头。
- 接头断开时，不要让接头处在高脉冲压力下。
- 快速接头断开时，建议使用保护帽。

Usage and safety warning:

- Be sure to clean the connecting surface before connecting to prevent contaminants from entering the hydraulic couplings.
- Before use, please confirm whether the circulating medium is suitable for the quick release coupling.
- Before use, please confirm whether the coupling's material and the sealing material are suitable for the working condition of the quick release coupling.
- After connecting, please rotate the push-pull sleeve to the safety lock position to prevent accidental disconnection.
- The "residual pressure" in the operation "Connection under pressure" refers to the residual pressure in a static pressure state.
- When there is dynamic pressure in the hydraulic system, do not connect or disconnect the quick release coupling.
- When the hydraulic system oil temperature is higher than 80°C, please do not connect or disconnect the quick release coupling.
- When the couplings are disconnected, do not let the couplings be under high pulse pressure.
- It is recommended to use a protective cap when the quick release couplings are disconnected.

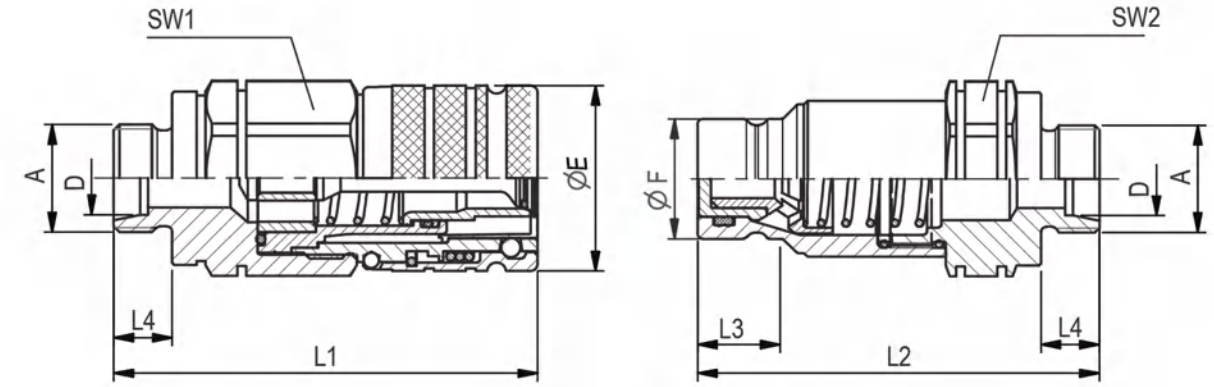
Serie FH



内螺纹DIN 3852 /Female Thread DIN 3852														
ISO	A部分 Port A	尺寸 Dimensions(mm)							母头 Female Body		重量	公头	重量	
		D	L1	L2	L3	L4	ØE	ØF	SW1	SW2	Part Numbers	Weight (g) ca	Male Tip Part Numbers	Weight (g) ca
6.3	G 1/4		54	54	10.8	13	28	16.2	27	22	FH06-F-14BSP	195	FH06-M-14BSP	102
	NPT 1/4		56	54	10.8	14.5	28	16.2	27	22	FH06-F-14NPT	203	FH06-M-14NPT	107
10	G 3/8		69	60	15.6	12	32	19.79	30	27	FH10-F-38BSP	292	FH10-M-38BSP	152
	NPT 3/8		74	63	15.6	12	32	19.79	30	27	FH10-F-38NPT	315	FH10-M-38NPT	160
	G 1/2		74	63	15.6	14	32	19.79	30	27	FH10-F-12BSP	297	FH10-M-12BSP	150
	NPT 1/2		74	63	15.6	14	32	19.79	30	27	FH10-F-12NPT	300	FH10-M-12NPT	147
12.5	G 1/2		84	71	16.9	14.5	38	24.58	36	36	FH12-F-12BSP	514	FH12-M-12BSP	316
	NPT 1/2		84	71	16.9	14.5	38	24.58	36	36	FH12-F-12NPT	511	FH12-M-12NPT	319
	G 3/4		84	71	16.9	18	38	24.58	36	36	FH12-F-34BSP	481	FH12-M-34BSP	286
	NPT 3/4		84	71	16.9	18	38	24.58	36	36	FH12-F-34NPT	486	FH12-M-34NPT	292
16	G 3/4		84	73	17.5	20	42	26.95	41	36	FH16-F-34BSP	646	FH16-M-34BSP	315
	NPT 3/4		83	73	17.5	20	42	26.95	41	36	FH16-F-34NPT	651	FH16-M-34NPT	323
19	G 3/4		99	84	21.5	22	46.1	30	46	46	FH19-F-34BSP	1015	FH19-M-34BSP	555
	NPT 3/4		99	84	21.5	22	46.1	30	46	46	FH19-F-34NPT	1024	FH19-M-34NPT	563
	G 1		99	84	21.5	23	46.1	30	46	46	FH19-F-1BSP	958	FH19-M-1BSP	498
	NPT 1		99	84	21.5	23	46.1	30	46	46	FH19-F-1NPT	981	FH19-M-1NPT	521
25	G 1		106	90	22.6	20	55	36.1	55	55	FH25-F-1BSP	1417	FH25-M-1BSP	815
	G 1 1/4		106	90	22.6	21	55	36.1	55	55	FH25-F-114BSP	1300	FH25-M-114BSP	714
	NPT 1 1/4		106	90	22.6	21	55	36.1	55	55	FH25-F-114NPT	1337	FH25-M-114NPT	736
	G 1 1/2		106	95	22.6	23	55	36.1	55	55	FH25-F-112BSP	1233	FH25-M-112BSP	704

*材质316L不锈钢型号为FHX,如: FHX10-F-38BSP
The item of material 316L stainless steel is FHX, such as: FHX10-F-38BSP

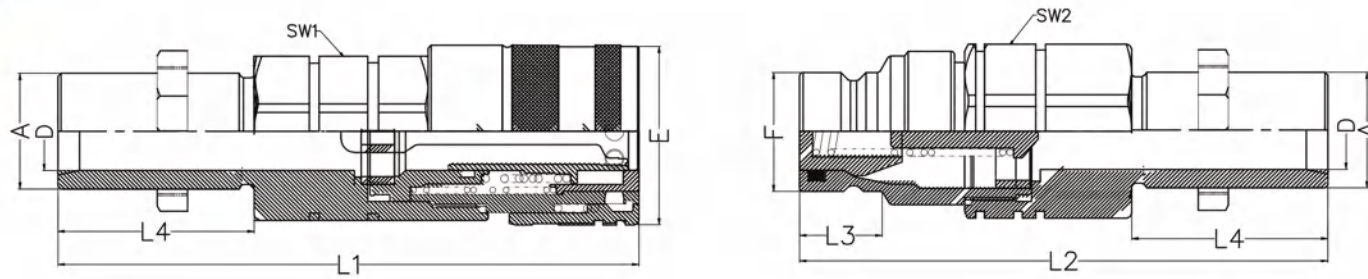
Serie FH



外螺纹24°锥形DIN 3861 /Male stud with type W bore (24°) to DIN 3861														
ISO	A部分 Port A	尺寸 Dimensions(mm)							母头 Female Body		重量	公头	重量	
		D	L1	L2	L3	L4	ØE	ØF	SW1	SW2	Part Numbers	Weight (g) ca	Male Tip Part Numbers	Weight (g) ca
6.3	M14×1.5	8L	58	62	10.8	10	28	16.2	27	22	FH06-F-L0814	180	FH06-M-L0814	113
	M16×1.5	10L	59	63	10.8	11	28	16.2	27	22	FH06-F-L1016	182	FH06-M-L1016	115
	M16×1.5	8S	60	64	10.8	12	28	16.2	27	22	FH06-F-S0816	187	FH06-M-S0816	120
	M18×1.5	10S	60	64	10.8	12	28	16.2	27	22	FH06-F-S1018	189	FH06-M-S1018	121
10	M14×1.5	8L	80	70.5	15.6	11	32	19.79	30	27	FH10-F-L0814	309	FH10-M-L0814	170
	M16×1.5	10L	80	70.5	15.6	11	32	19.79	30	27	FH10-F-L1016	307	FH10-M-L1016	169
	M18×1.5	12L	80	70.5	15.6	12	32	19.79	30	27	FH10-F-L1218	307	FH10-M-L1218	174
	M22×1.5	15L	81	71.5	15.6	12	32	19.79	30	27	FH10-F-L1522	314	FH10-M-L1522	174
12.5	M22×1.5	15L	87	80	16.9	12	38	24.58	36	36	FH12-F-L1522	478	FH12-M-L1522	329
	M26×1.5	18L	87	80	16.9	12	38	24.58	36	36	FH12-F-L1826	482	FH12-M-L1826	333
	M24×1.5	16S	89	82	16.9	14	38	24.58	36	36	FH12-F-S1624	488	FH12-M-S1624	338
	M30×2	20S	91	84	16.9	16	38	24.58	36	36	FH12-F-S2030	503	FH12-M-S2030	353
16	M30×2	22L	86	87	17.5	14	42	26.95	41	36	FH16-F-L2230	597	FH16-M-L2230	385
	M24×1.5	16S	86	87	17.5	14	42	26.95	41	36	FH16-F-S1624	597	FH16-M-S1624	385
19	M30×2	22L	113	98	21.5	14	46.1	30	46	46	FH19-F-L2230	1060	FH19-M-L2230	582
	M36×2	25S	117	102	21.5	18	46.1	30	46	46	FH19-F-S2536	1098	FH19-M-S2536	621
	M42×2	30S	119	104	21.5	20	46.1	30	46	46	FH19-F-S3042	1123	FH19-M-S3042	647

材质316L不锈钢型号为FHX,如: FHX10-F-38BSP
The item of material 316L stainless steel is FHX, such as: FHX10-F-38BSP

Serie FH



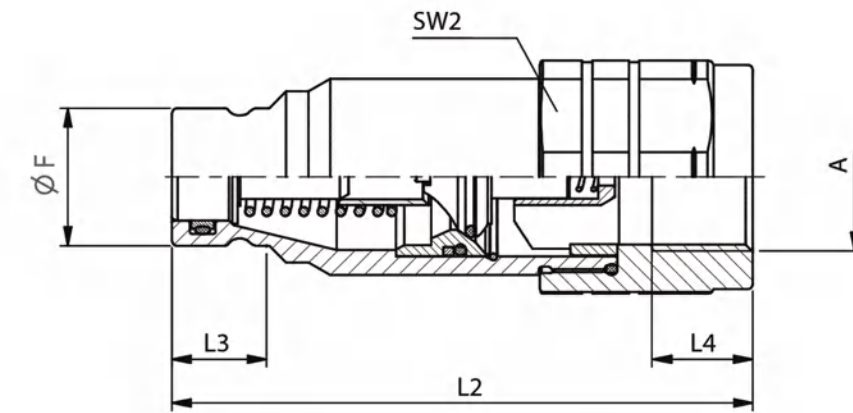
外螺纹24°锥形DIN 3861带隔板 / Male stud with type W bore (24°) to DIN 3861, Bulkhead															
ISO	A部分 Port A	尺寸 Dimensions(mm)								母头 Female Body		重量	公头		重量
		D	L1	L2	L3	L4	ØE	ØF	SW1	SW2	Part Numbers	(g) ca	Part Numbers	(g) ca	
6.3	M14×1.5	8L	73	77	10.8	25	28	16.2	27	22	FH06-F-N0814	195	FH06-M-N0814	128	
	M16×1.5	10L	74	78	10.8	26	28	16.2	27	22	FH06-F-N1016	200	FH06-M-N1016	134	
	M16×1.5	8S	75	79	10.8	27	28	16.2	27	22	FH06-F-T0816	209	FH06-M-T0816	141	
	M18×1.5	10S	75	79	10.8	27	28	16.2	27	22	FH06-F-T1016	214	FH06-M-T1016	147	
10	M16×1.5	10L	86.5	85.5	15.6	26	32	19.79	30	27	FH10-F-N1016	292	FH10-M-N1016	186	
	M18×1.5	12L	86.5	85.5	15.6	26	32	19.79	30	27	FH10-F-N1218	295	FH10-M-N1218	189	
	M22×1.5	15L	87.5	86.5	15.6	27	32	19.79	30	27	FH10-F-N1522	312	FH10-M-N1522	205	
	M24×1.5	16S	89.5	88.5	15.6	29	32	19.79	30	27	FH10-F-T1624	329	FH10-M-T1624	224	
12.5	M22×1.5	15L	92	95	16.9	27	38	24.58	36	36	FH12-F-N1522	452	FH12-M-N1522	363	
	M26×1.5	18L	92	95	16.9	27	38	24.58	36	36	FH12-F-N1826	466	FH12-M-N1826	377	
	M24×1.5	16S	94	97	16.9	29	38	24.58	36	36	FH12-F-T1624	470	FH12-M-T1624	380	
	M30×2	20S	94	104	16.9	36	38	24.58	36	36	FH12-F-T2030	525	FH12-M-T2030	408	
16	M30×2	22L	106	107	17.5	34	42	26.95	41	36	FH16-F-N2230	664	FH16-M-N2230	448	
	M36×2	25S	110	111	17.5	38	42	26.95	41	41	FH16-F-T2536	746	FH16-M-T2536	591	
19	M30×2	22L	133	118	21.5	34	46.1	30	46	46	FH19-F-N2230	1126	FH19-M-N2230	649	
	M36×2	25S	137	124	21.5	38	46.1	30	46	46	FH19-F-T2536	1209	FH19-M-T2536	731	
	M42×2	30S	139	124	21.5	40	46.1	30	46	46	FH19-F-T3042	1267	FH19-M-T3042	798	

材质316L不锈钢型号为FHX,如: FHX10- F-38BSP
The item of material 316L stainless steel is FHX, such as: FHX10-F-38BSP

Serie FU

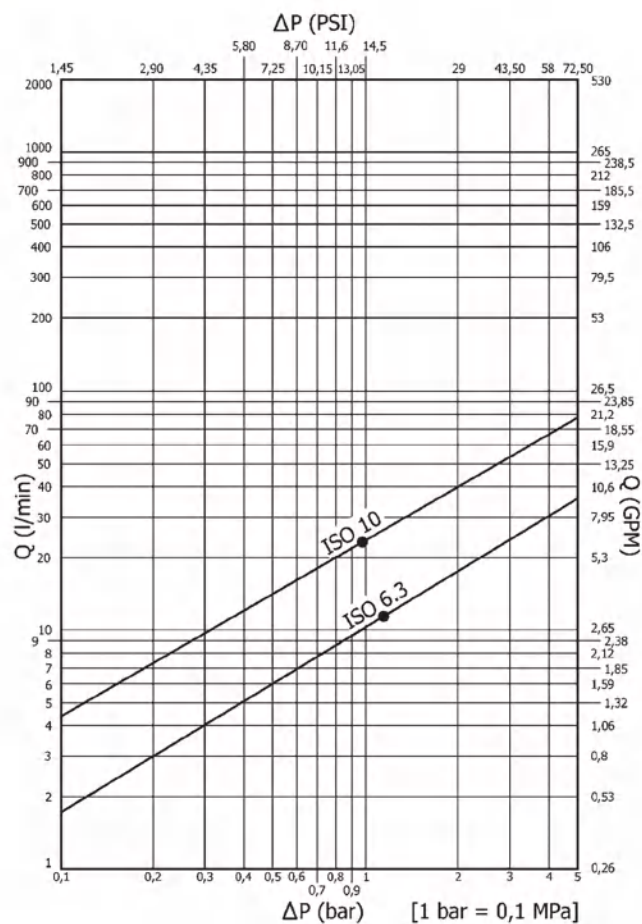
- 标准: ISO 16028
- 阀系统: 平面
- 锁紧方式: 钢球锁定
- 可选材质: 碳钢、316L不锈钢
- 表面处理: Zn-Fe (Cr III) - Zn-Ni
- 可选螺纹: BSP- NPT- SAE
- 标准密封件: NBR
- 工作温度: -25 °C +100 °C
- 可选密封件: FKM, EPDM or more
- 工作压力: 350-400 bar
- 带压操作: 只允许公接头带残压对接, 不允许带残压拆断

- Standard: ISO 16028
- Occlusion: flat face
- Locking: radial balls
- Material: steel, stainless steel AISI 316
- Finishing: Zn-Fe (Cr III) - Zn-Ni
- Threads: BSP - NPT - SAE - METRIC
- Standard seals: NBR
- Working temperature: -25 °C +100 °C .
- Optional seals: FKM, EPDM or more
- Working pressure: 350-400 bar
- Connection under pressure: only the male body is allowed to be connected with residual pressure, it's not allowed to disconnect with residual pressure.



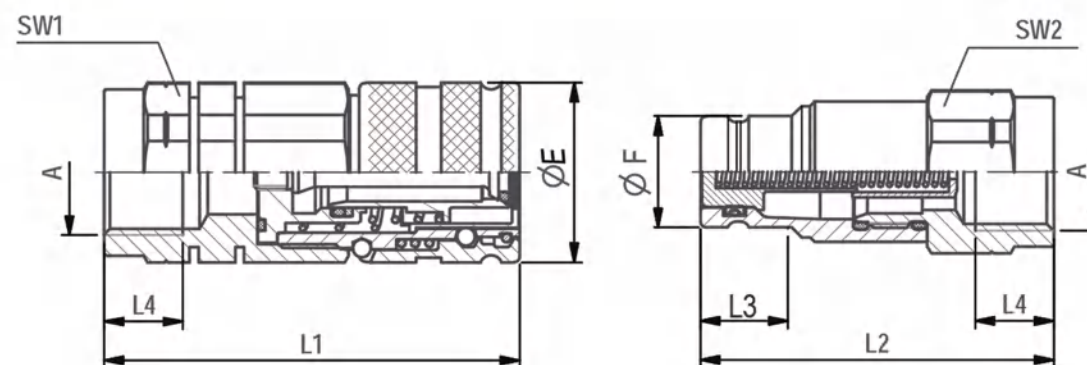
内螺纹DIN 3852 /Female Thread DIN 3852															
ISO	A部分 Port A	尺寸 Dimensions(mm)								母头 Female Body		重量	公头		重量
		D	L1	L2	L3	L4	ØE	ØF	SW1	SW2	Part Numbers	(g) ca	Part Numbers	(g) ca	
10	G 3/8			87	15.6	12		19.79		30			FU10-M-38BSP	241	
	G 1/2			90	15.6	14		19.79		30			FU10-M-12BSP	246	
12.5	G 1/2			98	16.9	14.5		24.58		41			FU12-M-12BSP	492	
	G 3/4			104	16.9	18		24.58		41			FU12-M-34BSP	511	
16	G 3/4			89	17.5	20		26.95		41			FU16-M-34BSP	630	
	G 3/4			114	21.5	22		30		46			FU19-M-34BSP	826	
19	G 1			114	21.5	23		30		46			FU19-M-1BSP	779	

FH/HP特性 Characteristics FH/HP



- 标准: ISO 16028
 - 阀系统: 平面
 - 锁紧方式: 钢球锁定
 - 可选材质: 碳钢
 - 表面处理: Zn-Fe (CrIII) - Zn-Ni
 - 可选螺纹: BSP- NPT - SAE
 - 标准密封件: NBR
 - 工作温度: -25°C+100°C
 - 可选密封件: FKM, EPDM or more
 - 工作压力: 700bar
 - 带压操作: 不允许
- Standard: ISO 16028
 - Occlusion: flat face
 - Locking: radial balls
 - Material: steel
 - Finishing: Zn-Fe (CrIII) - Zn-Ni
 - Threads: BSP -NPT - SAE - METRIC
 - Standard seals: NBR
 - Working temperature: -25 °C +100 °C
 - Optional seals: FKM, EPDM or more
 - Working pressure: 700 bar
 - Connection under pressure: not allowed

Serie FH/HP



内螺纹DIN 3852 /Female Thread DIN 3852														
ISO	A部分 Port A	尺寸 Dimensions(mm)						母头 Female Body		重量	公头	重量		
		D	L1	L2	L3	L4	ØE	ØF	SW1	SW2	Part Numbers	Weight (g) ca	Part Numbers	Weight (g) ca
6.3	G 1/4		58.5	54			28	16.2	27	22	FH06-F-14BSP/HP	195	FH06-M-14BSP/HP	102
	NPT 1/4		58.5	54			28	16.2	27	22	FH06-F-14NPT/HP	203	FH06-M-14NPT/HP	107
10	G 3/8		69	60			32	19.79	30	27	FH10-F-38BSP/HP	309	FH10-M-38BSP/HP	152
	NPT 3/8		74	63			32	19.79	30	27	FH10-F-38NPT/HP	315	FH10-M-38NPT/HP	160
	G 1/2		74	63			32	19.79	30	27	FH10-F-12BSP/HP	297	FH10-M-12BSP/HP	150
	NPT 1/2		74	63			32	19.79	30	27	FH10-F-12NPT/HP	300	FH10-M-12NPT/HP	147

标准尺寸 Nominal size		工作压力 Working pressure	额定流量 Rated flow (ISO)	最大流量 Max flow rate	爆破压力 Burst pressure			溢流量 Fluid spillage
FH/HP	ISO	Mpa	l/min	l/min	公头Male	母头Female	连接Coupled	cc
FH06/HP	6.3	70	12	25	200	230	230	0.008
FH10/HP	10	70	23	46	210	210	220	0.012

使用方法及安全警示:

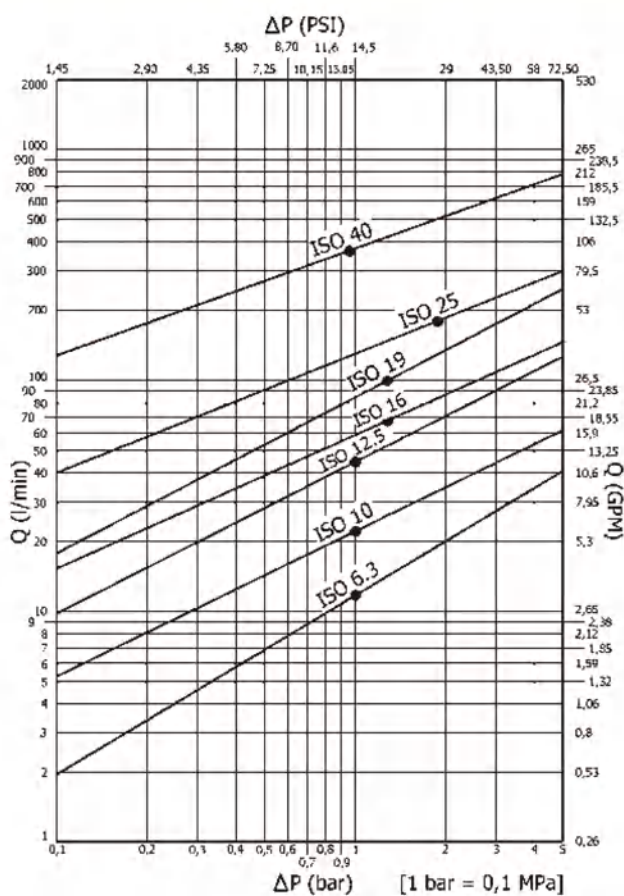
- 请务必对接前清洁对接表面, 避免污染物进入液压接头。
- 使用前, 请确认通过快速接头的介质是否适用于快速接头。
- 使用前, 请确认接头材质以及密封材质是否适用于选型快速接头工况。
- 对接后请将推拉套筒旋转至安全锁定位置, 以防意外断开。
- 带残压操作中的“残压”是指静压状态下的残存压力。
- 液压系统存在动态压力的情况下, 请勿对接或者断开快速接头。
- 液压系统油温高于80°C时, 请勿对接或断开快速接头。
- 接头断开时, 不要让接头处在高脉冲压力下。
- 快速接头断开时, 建议使用保护帽。

Usage and safety warning:

- Be sure to clean the connecting surface before connecting to prevent contaminants from entering the hydraulic couplings.
- Before use, please confirm whether the circulating medium is suitable for the quick release coupling.
- Before use, please confirm whether the coupling's material and the sealing material are suitable for the working condition of the quick release coupling.
- After connecting, please rotate the push-pull sleeve to the safety lock position to prevent accidental disconnection.
- The "residual pressure" in the operation "Connection under pressure" refers to the residual pressure in a static pressure state.
- When there is dynamic pressure in the hydraulic system, do not connect or disconnect the quick release coupling.
- When the hydraulic system oil temperature is higher than 80°C, please do not connect or disconnect the quick release coupling.
- When the couplings are disconnected, do not let the couplings be under high pulse pressure.
- It is recommended to use a protective cap when the quick release couplings are disconnected.

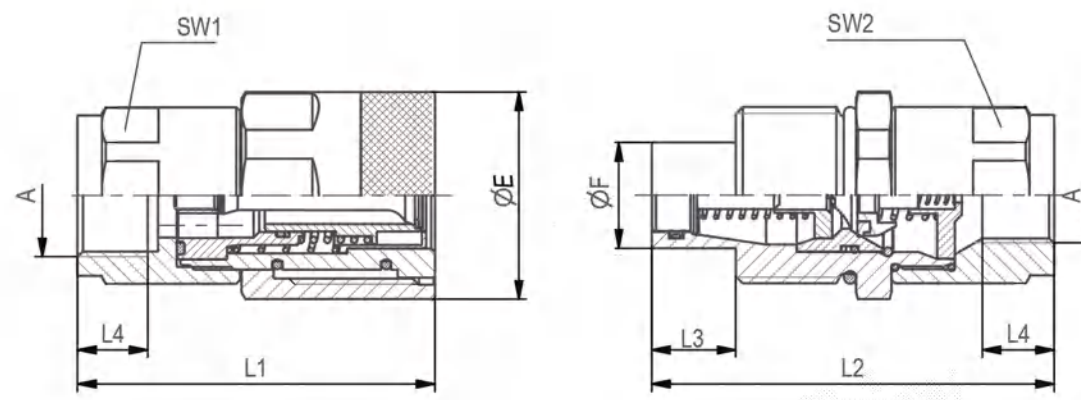
FT 特性 Characteristics FT

Serie FT



- 阀系统: 平面
 - 锁紧方式: 螺纹锁定
 - 可选材质: 碳钢
 - 表面处理: Zn-Fe (Cr III) - Zn-Ni
 - 可选螺纹: BSP-NPT- SAE
 - 标准密封件: NBR/PU
 - 工作温度: -25 °C +100 °C
 - 可选密封件: FKM, EPDM or more
 - 工作压力: 300-450 bar
 - 带压操作: 允许带残压操作
 - 最大带压操作压力: 300bar
-
- Occlusion: flat face
 - Locking: screw
 - Material: steel
 - Finishing: Zn-Fe (Cr III) - Zn-Ni
 - Threads: BSP - NPT - SAE
 - Standard seals: NBR - Polyurethane
 - Working temperature: -25 °C +100 °C
 - Optional seals: Viton, EPDM or more
 - Working pressure: 300-450 bar
 - Connection under pressure: allowed (both male or female side)
 - Max residual pressure: 300 bar

标准尺寸 Nominal size	工作压力 Working pressure	额定流量 Rated flow (ISO)	最大流量 Max flow rate	爆破压力 Burst pressure	溢流量 Fluid spillage
ISO	Mpa	l/min	l/min	公头Male 母头Female 连接Coupled	cc
FT				Mpa	
FT10	10	23	46	130 170 140	0.010
FT12	12.5	45	90	140 140 140	0.012
FT16	16	74	150	140 140 140	0.015
FT19	19	100	200	140 140 140	0.020
FT25	25	189	280	140 140 140	0.030
FT30	40	379	700	140 140 140	0.050



ISO	A部分 Port A	内螺纹DIN 3852 / Female Thread DIN 3852 尺寸 Dimensions(mm)							母头 Female Body		重量	公头	重量	
		D	L1	L2	L3	L4	ØE	ØF	Part Numbers	Weight (g) ca	Part Numbers	Weight (g) ca		
6.3	G1/4		59.5	67.5			M30*2		22	22	FT06-F-14BSP	284	FT06-M-14BSP	218
	NPT 1/4		59.5	67.5			M30*2		22	22	FT06-F-14NPT	284	FT06-M-14NPT	219
10	G 3/8		70	87	17.5	12	M33*2	19.8	30	30	FT10-F-38BSP	360	FT10-M-38BSP	384
	NPT 3/8		75	90	17.5		M33*2	19.8	30	30	FT10-F-38NPT	383	FT10-M-38NPT	397
	G 1/2		75	90	17.5	14	M33*2	19.8	30	30	FT10-F-12BSP	365	FT10-M-12BSP	379
	NPT 1/2		75	90	17.5		M33*2	19.8	30	30	FT10-F-12NPT	369	FT10-M-12NPT	385
12.5	G 1/2		85	98	18.9	14.5	M40*3	24.6	36	36	FT12-F-12BSP	657	FT12-M-12BSP	671
	NPT 1/2		85	104	18.9		M40*3	24.6	36	36	FT12-F-12NPT	617	FT12-M-12NPT	731
	G 3/4		85	104	18.9	16	M40*3	24.6	36	36	FT12-F-34BSP	625	FT12-M-34BSP	691
	NPT 3/4		85	98	18.9		M40*3	24.6	36	36	FT12-F-34NPT	630	FT12-M-34NPT	675
16	G 3/4		85	112	19.4	16	M45*3	27	41	41	FT16-F-34BSP	803	FT16-M-34BSP	963
	NPT 3/4		85	112	19.4		M45*3	27	41	41	FT16-F-34NPT	798	FT16-M-34NPT	969
	G 1		87	114	19.4	18	M45*3	27	41	41	FT16-F-1BSP	768	FT16-M-1BSP	928
19	G 3/4		101	114	23.9	16	M50*3	30	46	46	FT19-F-34BSP	1355	FT19-M-34BSP	1061
	G 1		101	114	23.9		M50*3	30	46	46	FT19-F-1BSP	1298	FT19-M-1BSP	1014
	NPT 1		101	114	23.9		M50*3	30	46	46	FT19-F-1NPT	1320	FT19-M-1NPT	1028
25	G 1 1/4		108	130	24.9	20	M58*3	36	55	55	FT25-F-114BSP	1502	FT25-M-114BSP	1897
	NPT 1 1/4		108	130	24.9	19	M58*3	36	55	55	FT25-F-114NPT	1539	FT25-M-114NPT	1919
40	G 1 1/2		134	169	39.5	22	M79*4	57	80	80	FT30-F-112BSP	4422	FT30-M-112BSP	4020
	NPT 1 1/2		134	169	39.5	19	M79*4	57	80	80	FT30-F-112NPT	4442	FT30-M-112NPT	4041
50	G 2		199	206	48	29	M116*4	86	90	90	FT50-F-2BSP	6240	FT50-M-2BSP	5900
	NPT 2		199	206	48	29	M116*4	86	90	90	FT50-F-2NPT	6270	FT50-M-2NPT	5930

使用方法及安全警示:

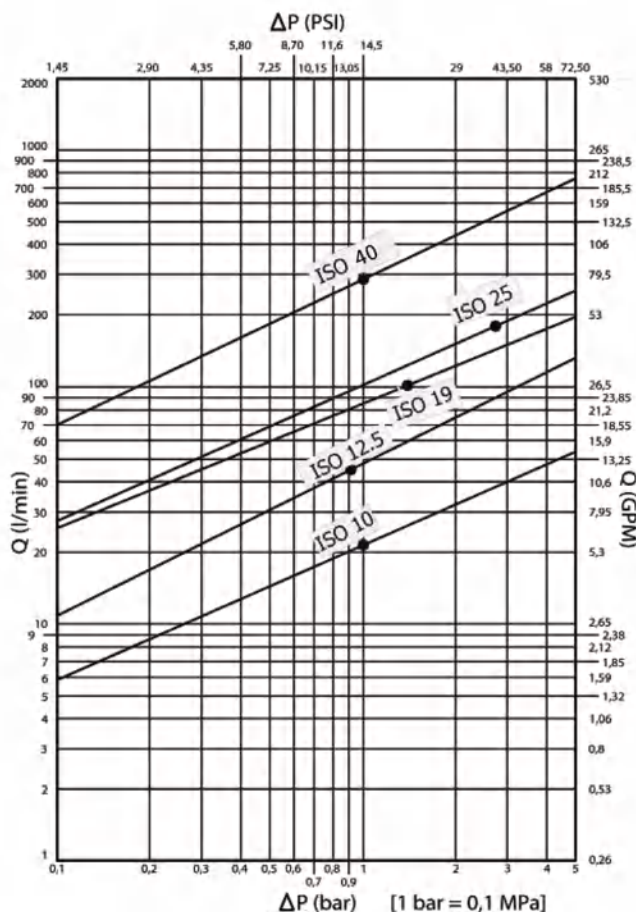
- 请务必对接前清洁对接表面, 避免污染物进入液压接头。
- 使用前, 请确认通过快速接头的介质是否适用于快速接头。
- 使用前, 请确认接头材质以及密封材质是否适用于选型快速接头工况。
- 带残压操作中的“残压”是指静压状态下的残存压力。
- 液压系统存在动态压力的情况下, 请勿对接或者断开快速接头。
- 液压系统油温高于80°C时, 请勿对接或断开快速接头。
- 对接时旋转母接头的套筒使其完全覆盖住公接头上的醒目色O型圈。
- 当接头完全对接拧紧后, 带安装锁扣的请务必插上安全锁扣。
- 如液压系统存在高压工况, 拆装需借助工具。
- 接头断开时, 不要让接头处在高脉冲压力下。
- 保持油路的清洁能够避免内部阀体的损坏。
- 快速接头断开时, 建议使用保护帽。

Usage and safety warning:

- Be sure to clean the connecting surface before connecting to prevent contaminants from entering the hydraulic couplings.
- Before use, please confirm whether the circulating medium is suitable for the quick release coupling.
- Before use, please confirm whether the coupling's material and the sealing material are suitable for the working condition of the quick release coupling.
- The "residual pressure" in the operation "Connection under pressure" refers to the residual pressure in a static pressure state.
- When there is dynamic pressure in the hydraulic system, do not connect or disconnect the quick release coupling.
- When the hydraulic system oil temperature is higher than 80°C, please do not connect or disconnect the quick release coupling.
- When connecting, rotate the sleeve of the female body to completely cover the eye-catching O-ring on the male body.
- When the couplings are completely butt-tightened, those with a safety lock must be fitted with a safety lock.
- If the hydraulic system has high residual pressure conditions, tools must be used for disassembly and assembly.
- When the couplings are disconnected, do not let the couplings be under high pulse pressure.
- Keeping the oil circuit clean can avoid damage to the internal valve body.
- It is recommended to use a protective cap when the quick release couplings are disconnected.

RK特性 Characteristics RK

Serie RK



- 阀系统: 平面
 - 锁紧方式: 螺纹锁定
 - 可选材质: 碳钢
 - 表面处理: Zn-Ni
 - 可选螺纹: BSP-NPT- SAE
 - 标准密封件: NBR
 - 工作温度: -25 °C +100 °C
 - 可选密封件: FKM, EPDM or more
 - 工作压力: 420 bar
 - 带压操作: 允许带残压操作
 - 最大带压操作压力: 100bar
- Occlusion: flat face
 - Locking: screw
 - Material: steel
 - Finishing: Zn-Ni
 - Threads: BSP - NPT - SAE
 - Standard seals: NBR
 - Working temperature: -25 °C +100 °C
 - Optional seals: Viton, EPDM or more
 - Working pressure: 420 bar
 - Connection under pressure: allowed (both male or female side)
 - Max residual pressure: 100 bar

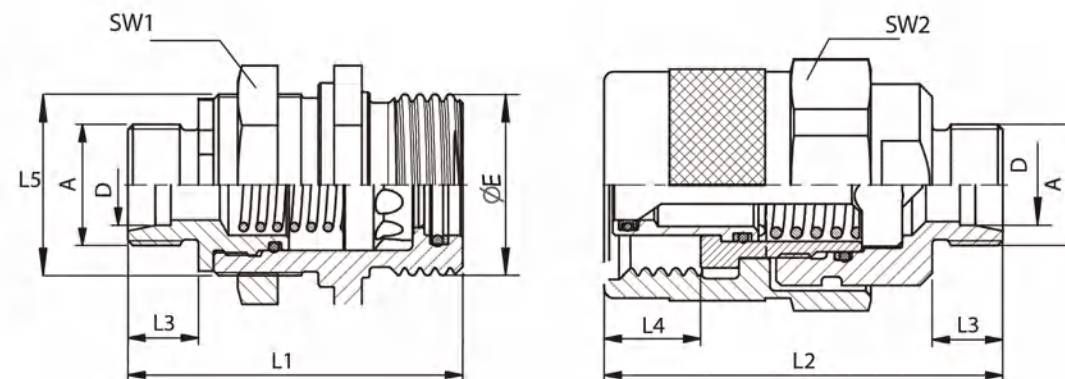
标准尺寸 Nominal size	工作压力 Working pressure	额定流量 Rated flow (ISO)	最大流量 Max flow rate	爆破压力 Burst pressure			溢流量 Fluid spillage	
RK	ISO	Mpa	l/min	公头Male	母头Female	连接Coupled	cc	
RK08	10	42	23	46	160	160	160	0.02
RK12	12.5	42	45	90	126	126	126	0.02
RK16	19	42	106	160	126	126	126	0.06
RK20	25	42	189	280	120	120	130	0.1
RK25	40	42	288	575	120	120	130	1

使用方法及安全警示:

- 请务必对接前清洁对接表面, 避免污染物进入液压接头。
- 使用前, 请确认通过快速接头的介质是否适用于快速接头。
- 使用前, 请确认接头材质以及密封材质是否适用于选型快速接头工况。
- 带残压操作中的“残压”是指静压状态下的残存压力。
- 液压系统存在动态压力的情况下, 请勿对接或者断开快速接头。
- 液压系统油温高于80°C时, 请勿对接或断开快速接头。
- 对接时旋转公接头的套筒使其完全覆盖住母接头上的螺纹。
- 如液压系统存在高压工况, 拆装需借助工具。
- 接头断开时, 不要让接头处在高脉冲压力下。
- 保持油路的清洁能够避免内部阀体的损坏。
- 快速接头断开时, 建议使用保护帽。

Usage and safety warning:

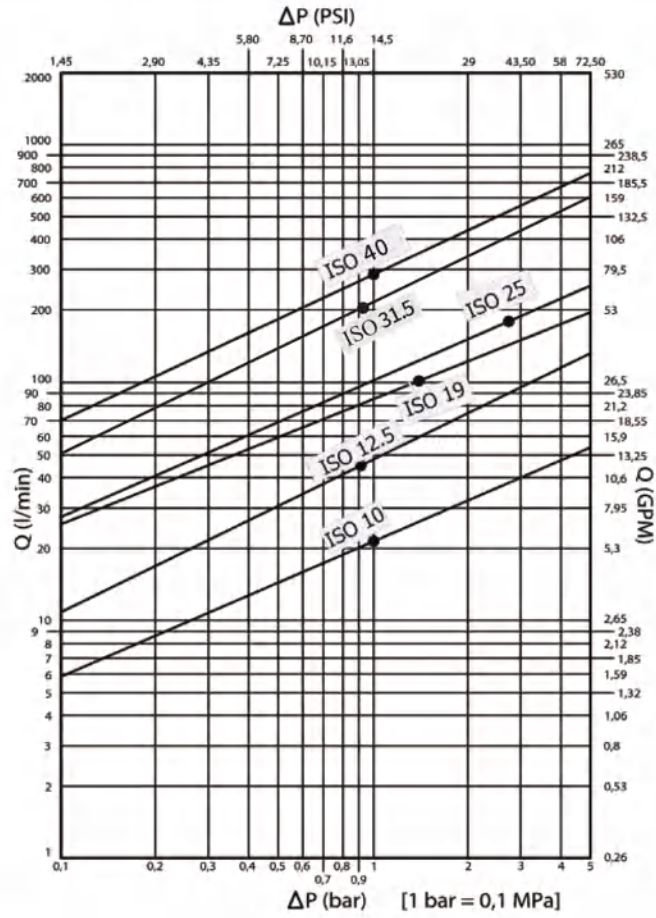
- Be sure to clean the connecting surface before connecting to prevent contaminants from entering the hydraulic couplings.
- Before use, please confirm whether the circulating medium is suitable for the quick release coupling.
- Before use, please confirm whether the coupling's material and the sealing material are suitable for the working condition of the quick release coupling.
- The "residual pressure" in the operation "Connection under pressure" refers to the residual pressure in a static pressure state.
- When there is dynamic pressure in the hydraulic system, do not connect or disconnect the quick release coupling.
- When the hydraulic system oil temperature is higher than 80°C, please do not connect or disconnect the quick release coupling.
- When connecting, rotate the sleeve of the male body to completely cover the thread on the female body.
- If the hydraulic system has high residual pressure conditions, tools must be used for disassembly and assembly.
- When the couplings are disconnected, do not let the couplings be under high pulse pressure.
- Keeping the oil circuit clean can avoid damage to the internal valve body.
- It is recommended to use a protective cap when the quick release couplings are disconnected.



ISO	A部分 Port A	尺寸 Dimensions(mm)							母头 Female Body		重量 Weight (g) ca	公头 Male Tip		重量 Weight (g) ca
		D	L1	L2	L3	L4	L5	ØE	SW1	SW2		Part Numbers	Part Numbers	
10	M16*1.5	10L	54	61	11	14	30	M32*3	36	41	RK08-F-L1016	210	RK08-M-L1016	305
	M18*1.5	12L	55	61	11	14	30	M32*3	36	41	RK08-F-L1218	210	RK08-M-L1218	305
	M18*1.5	10S	55	62	12	14	30	M32*3	36	41	RK08-F-S1018	215	RK08-M-S1018	315
	M24*1.5	16S	58	64	14	14	30	M32*3	36	41	RK08-F-S1624	230	RK08-M-S1624	320
12.5	M22*1.5	15L	65	78	12	17.5	36	M36*3	41	46	RK12-F-L1522	312	RK12-M-L1522	564
	M26*1.5	18L	67	80	14	17.5	36	M36*3	41	46	RK12-F-L1826	320	RK12-M-L1826	573
	M24*1.5	16S	67	80	14	17.5	36	M36*3	41	46	RK12-F-S1624	320	RK12-M-S1624	573
	M30*2	20S	69	81	16	17.5	36	M36*3	41	46	RK12-F-S2030	348	RK12-M-S2030	595
19	M22*1.5	15L	77	77	12	22	45	M48*3	50	60	RK16-F-L1522	614	RK16-M-L1522	940
	M24*1.5	16S	79	81	14	22	45	M48*3	50	60	RK16-F-S1624	617	RK16-M-S1624	945
	M26*1.5	18L	77	77	12	22	45	M48*3	50	60	RK16-F-L1826	616	RK16-M-L1826	943
	M30*2	20S	79	81	16	22	45	M48*3	50	60	RK16-F-S2030	620	RK16-M-S2030	949
25	M26x1.5	18L	90	103	12	27.5	54	M54*4	60	55	RK20-F-L1826	880	RK20-M-L1826	1288
	M30x2	22L	92	105	14	27.5	54	M54*4	60	55	RK20-F-L2230	888	RK20-M-L2230	1296
	M36x2	28L	92	107	14	27.5	54	M54*4	60	55	RK20-F-L2836	900	RK20-M-L2836	1306
	M30x2	20S	95	107	16	27.5	54	M54*4	60	55	RK20-F-S2030	922	RK20-M-S2030	1315
	M36x2	25S	97	111	18	27.5	54	M54*4	60	55	RK20-F-S2536	930	RK20-M-S2536	1323
	M42x2	30S	99	113	20	27.5	54	M54*4	60	55	RK20-F-S3042	958	RK20-M-S3042	1343
40	M45x2	35L	122	136	16	34.5	80	M79*4	85	80	RK25-F-L3545	2730	RK25-M-L3545	3350
	M52x2	42L	122	136	16	34.5	80	M79*4	85	80	RK25-F-L4252	2830	RK25-M-L4252	3350
	M52x2	38S	125	136	22	34.5	80	M79*4	85	80	RK25-F-S3852	2855	RK25-M-S3852	3345

RK/KL特性 Characteristics RK/KL

Serie RK/KL



- 阀系统:平面
 - 锁紧方式:螺纹锁定
 - 可选材质:碳钢、316L不锈钢、TC4钛合金
 - 表面处理: Zn-Ni
 - 可选螺纹:BSP-NPT-SAE
 - 标准密封件: NBR
 - 工作温度: -25 °C +100 °C
 - 可选密封件: FKM, EPDM or more
 - 工作压力: 420 bar
 - 带压操作:允许带残压操作
 - 最大带压操作压力: 100bar
- Occlusion: flat face
 - Locking: screw
 - Material: steel, 316L stainless steel, TC4 Titanium Alloy
 - Finishing: Zn-Ni
 - Threads: BSP - NPT - SAE
 - Standard seals: NBR
 - Working temperature: -25 °C +100 °C
 - Optional seals: Viton, EPDM or more
 - Working pressure: 420 bar
 - Connection under pressure: allowed (both male or female side)
 - Max residual pressure: 100 bar

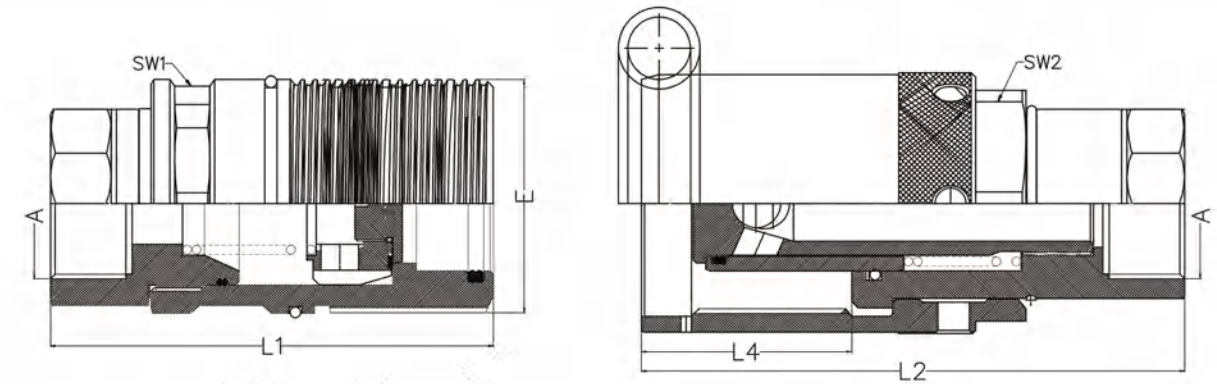
标准尺寸 Nominal size		工作压力 Working pressure	额定流量 Rated flow (ISO)	最大流量 Max flow rate	爆破压力 Burst pressure			溢流量 Fluid spillage
RK/KL	ISO	Mpa	l/min	l/min	公头Male	母头Female	连接Coupled	cc
RK08/KL	10	42	23	46	160	160	160	0.02
RK12/KL	12.5	42	45	90	126	126	126	0.02
RK16/KL	19	42	106	160	126	126	126	0.06
RK20/KL	25	42	189	280	120	120	130	0.1
RK25A/KL	31.5	42	235	450	120	120	130	0.7
RK25/KL	40	42	288	575	120	120	130	1

使用方法及安全警示:

- 请务必对接前清洁对接表面, 避免污染物进入液压接头。
- 使用前, 请确认通过快速接头的介质是否适用于快速接头。
- 使用前, 请确认接头材质以及密封材质是否适用于选型快速接头工况。
- 带残压操作中的“残压”是指静压状态下的残存压力。
- 液压系统存在动态压力的情况下, 请勿对接或者断开快速接头。
- 液压系统油温高于80°C时, 请勿对接或断开快速接头。
- 对接时旋转公接头的套筒使其完全覆盖住母接头上的醒目色O型圈。
- 当接头完全对接拧紧后, 带安装锁扣的请务必插上安全锁扣。
- 如液压系统存在高压工况, 拆装需借助工具。
- 接头断开时, 不要让接头处在高脉冲压力下。
- 保持油路的清洁能够避免内部阀体的损坏。
- 快速接头断开时, 建议使用保护帽。

Usage and safety warning:

- Be sure to clean the connecting surface before connecting to prevent contaminants from entering the hydraulic couplings.
- Before use, please confirm whether the circulating medium is suitable for the quick release coupling.
- Before use, please confirm whether the coupling's material and the sealing material are suitable for the working condition of the quick release coupling.
- The "residual pressure" in the operation "Connection under pressure" refers to the residual pressure in a static pressure state.
- When there is dynamic pressure in the hydraulic system, do not connect or disconnect the quick release coupling.
- When connecting, rotate the sleeve of the male body to completely cover the eye-catching O-ring on the female body.
- When the couplings are completely butt-tightened, the safety lock must be inserted in the installation lock.
- If the hydraulic system has high residual pressure conditions, tools must be used for disassembly and assembly.
- When the couplings are disconnected, do not let the couplings be under high pulse pressure.
- Keeping the oil circuit clean can avoid damage to the internal valve body.
- It is recommended to use a protective cap when the quick release couplings are disconnected.



ISO	A部分 Port A	内螺纹DIN 3852 /Female Thread DIN 3852 尺寸 Dimensions(mm)					母头 Female Body		重量 Weight	公头 Male Tip	重量 Weight
		D	L1	L2	L3	L4	ØE	SW1	SW2	Part Numbers	(g) ca
10	G 1/4	64	80	34.5	M32*3	36	41	RK08-F-14BSP/KL	277	RK08-M-14BSP/KL	401
	G 3/8	64	80	34.5	M32*3	36	41	RK08-F-38BSP/KL	270	RK08-M-38BSP/KL	394
12.5	G 1/2	74	95	36.7	M36*3	41	46	RK12-F-12BSP/KL	391	RK12-M-12BSP/KL	689
	G 3/4	94	106	45.5	M48*3	50	60	RK16-F-34BSP/KL	799	RK16-M-34BSP/KL	1174
19	G 1	114	139	56.5	M54*4	60	55	RK20-F-1BSP/KL	1153	RK20-M-1BSP/KL	1748
	G 1 1/4	141	173	67	M70*4	85	80	RK25A-F-114BSP/KL	2338	RK25A-M-114BSP/KL	3617
25	G 1 1/2	141	173	67	M70*4	85	80	RK25A-F-112BSP/KL	2300	RK25A-M-112BSP/KL	3550
	G 1 1/2	141	173	67	M79*4	85	80	RK25-F-112BSP/KL	2799	RK25-M-112BSP/KL	3892
31.5	G 1 1/2	141	173	67	M79*4	85	80	RK25-F-112BSP/KL	2799	RK25-M-112BSP/KL	3892
	G 1 1/2	141	173	67	M79*4	85	80	RK25-F-112BSP/KL	2799	RK25-M-112BSP/KL	3892

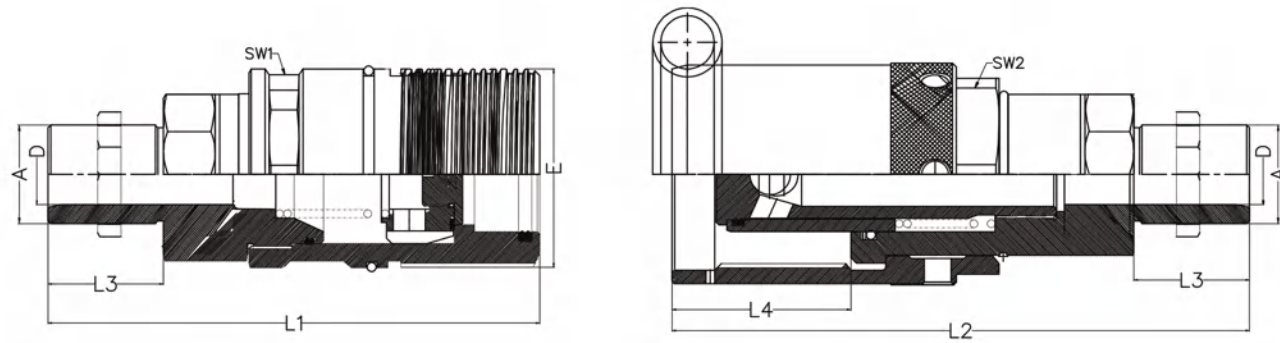
材质316L不锈钢型号为RKX/KL,如: RKX12-F-12BSP/KL

材质TC4钛合金型号为RKX/KL-TC4,如: RKX12-F-12BSP/KL-TC4

The item of material 316L stainless steel is RKX/KL, eg: RKX12-F-12BSP/KL

The item of material titanium alloy TC4 is RKX/KL-TC4, eg: RKX12-F-12BSP/KL-TC4

Serie RK/KL



外螺纹24°锥形DIN 3861 (带隔板) / Male stud with type W bore (24°) to DIN 3861

ISO	A部分 Port A	尺寸 Dimensions(mm)							母头 Female Body		重量	公头	重量
		D	L1	L2	L3	L4	ØE	ØF	Part Numbers	Part Numbers	(g) ca	Part Numbers	(g) ca
10	M16*1.5	10L	92	81	11	34.5	M32*3	36	41	RK08-F-L1016/KL	255	RK08-M-L1016/KL	382
	M16*1.5	10L	92	106	36	34.5	M32*3	36	41	RK08-F-N1016/KL	260	RK08-M-N1016/KL	395
12.5	M24*1.5	16S	78	95	14	36.7	M36*3	41	46	RK12-F-S1624/KL	385	RK12-M-S1624/KL	675
	M22*1.5	15L	100	116	37	36.7	M36*3	41	46	RK12-F-N1522/KL	395	RK12-M-N1522/KL	690
	M24*1.5	16S	104	121	40	36.7	M36*3	41	46	RK12-F-T1624/KL	403	RK12-M-T1624/KL	695
	M30*2	20S	108	125	44	36.7	M36*3	41	46	RK12-F-T2030/KL	405	RK12-M-T2030/KL	702
19	M30*2	22L	94	99	14	45.5	M48*3	50	60	RK16-F-L2230/KL	785	RK16-M-L2230/KL	1152
	M30*2	20S	125	99	16	45.5	M48*3	50	60	RK16-F-T2030/KL	790	RK16-M-S2030/KL	1160
25	M36*2	28L	108	133	14	56.5	M54*4	60	55	RK20-F-L2836/KL	1142	RK20-M-L2836/KL	1715
	M42*2	30S	114	139	20	56.5	M54*4	60	55	RK20-F-S3042/KL	1155	RK20-M-S3042/KL	1726
	M36*2	28L	128	153	34	56.5	M54*4	60	55	RK20-F-N2836/KL	1163	RK20-M-N2836/KL	1735
	M42*2	30S	134	159	40	56.5	M54*4	60	55	RK20-F-T3042/KL	1175	RK20-M-T3042/KL	1753
31.5	M45*2	35L	155	157	16	67	M70*4	85	80	RK25A-F-L3545/KL	2330	RK25A-M-L3545/KL	3583
	M42*2	30S	145	167	20	67	M70*4	85	80	RK25A-F-S3042/KL	2315	RK25A-M-S3042/KL	3577
	M52*2	38S	141	163	22	67	M70*4	85	80	RK25A-F-S3852/KL	2331	RK25A-M-S3852/KL	3603
40	M52*2	38S	141	163	22	67	M79*4	85	80	RK25-F-S3852/KL	2782	RK25-M-S3852/KL	3887

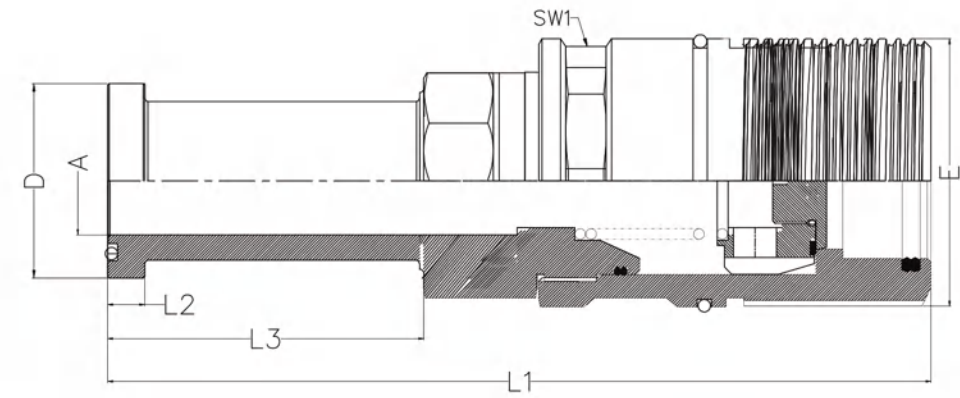
材质316L不锈钢型号为RKX/KL,如: RKX12-F-12BSP/KL

材质TC4钛合金型号为RKX/KL-TC4,如: RKX12-F-12BSP/KL-TC4

The item of material 316L stainless steel is RKX/KL, eg: RKX12-F-12BSP/KL

The item of material titanium alloy TC4 is RKX/KL-TC4, eg: RKX12-F-12BSP/KL-TC4

Serie RK/KL

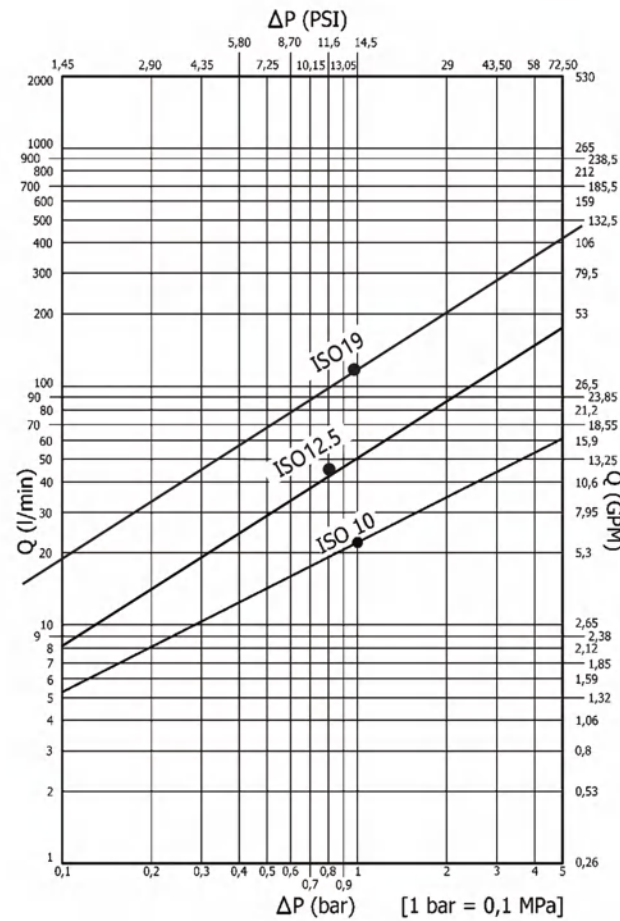


带O型圈的法兰接头 (ISO 6162-2 与SAE J518)

ISO	A部分 Port A	尺寸 Dimensions(mm)							母头 Female Body		重量	公头	重量
		D	L1	L2	L3	L4	ØE	ØF	Part Numbers	Part Numbers	(g) ca	Part Numbers	(g) ca
25	1	L	152	8	55	M54*4	60	RK20-F-DFL16/KL		1480			
	1	S	176	9.5	79	M54*4	60	RK20-F-DFS16/KL		1600			
	1 1/4	S	186	10.3	88	M54*4	60	RK20-F-DFS20/KL		1720			
31.5	1 1/4	L	181	8	62	M70*4	85	RK25A-F-DFL20/KL		2769			
	1 1/4	S	206	10.3	87	M70*4	85	RK25A-F-DFS20/KL		2965			
40	1 1/4	S	206	10.3	81.5	M79*4	85	RK25-F-DFS20/KL		3415			
	1 1/2	S	215	12.6	96	M79*4	85	RK25-F-DFS24/KL		3550			

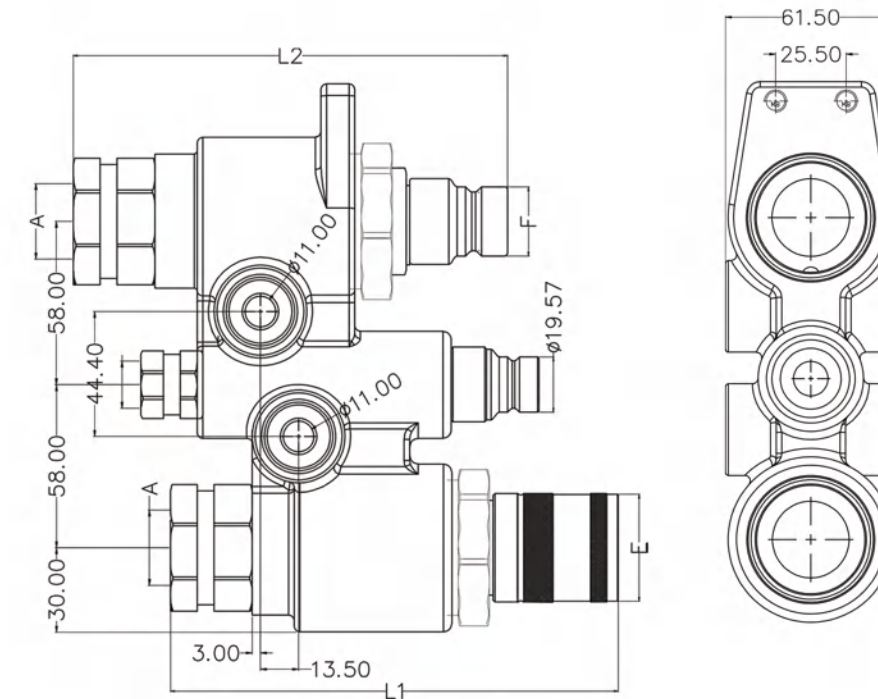
SSL特性 Characteristics SSL

Serie SSL



- 标准: ISO 16028
 - 阀系统: 平面
 - 锁紧方式: 钢球锁定
 - 可选材质: 碳钢
 - 表面处理: Zn-Fe (CrIII) - Zn-Ni
 - 可选螺纹: BSP - NPT - SAE
 - 标准密封件: NBR
 - 工作温度: -25°C+100°C
 - 可选密封件: FKM, EPDM or more
 - 工作压力: 350-400bar
 - 带压操作: 可带压连接, 分2步完成
- Standard: ISO 16028
 - Occlusion: flat face
 - Locking: radial balls
 - Material: steel
 - Finishing: Zn-Fe (CrIII)- Zn-Ni
 - Threads: BSP -NPT - SAE - METRIC
 - Standard seals: NBR
 - Working temperature: -25 °C +100 °C
 - Optional seals: FKM,EPDM or more
 - Working pressure: 350-400 bar
 - Connection under pressure: Allowed, completed in 2 steps

标准尺寸 Nominal size	工作压力 Working pressure	额定流量 Rated flow (ISO)	最大流量 Max flow rate	爆破压力 Burst pressure			溢流量 Fluid spillage	
				公头Male	母头Female	连接Coupled		
FH/SSL	ISO	Mpa	l/min	l/min	Mpa	Mpa	Mpa	cc
FH12/SSL	12.5	35	45	90	140	140	170	0.02
FH19/SSL	19	35	100	160	130	120	140	0.03

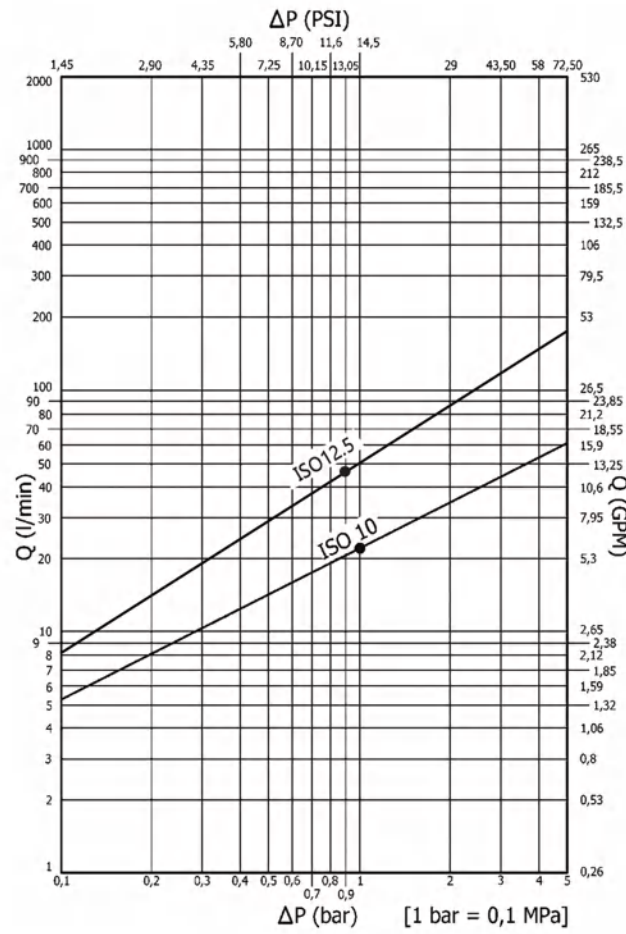


ISO	A部分 Port A	尺寸 Dimensions(mm)						母头 Female Body		重量 Weight (g) ca	公头 Male Tip Part Numbers	重量 Weight (g) ca		
		D	L1	L2	L3	L4	ØE	ØF	SW1				SW2	
12.5	G 1/2	98	71				38	24.58			FH12-F-12BSP/SSL	511	FH12-M-12BSP/SSL	294
	M22×1.5	98	71				38	24.58			FH12-F-M22/SSL	511	FH12-M-M22/SSL	294
19	G 3/4	99	84				46.1	30			FH19-F-34BSP/SSL	1015	FH19-M-34BSP/SSL	555

组合型号 Part Numbers	A部分 Port A	尺寸 Dimensions(mm)					型号 Part Numbers	重量 Weight (g) ca
		L	L1	L2	L3	L4		
	G 1/2	159	155				SSL/FH12-FM-12BSP/FH10M-38BSP	4750
	G 3/4	160	185				SSL/FH19-FM-34BSP/FH10M-38BSP	5260
	M22×1.5	159	155				SSL/FH12-FM-M22/FH10M-M18	4750

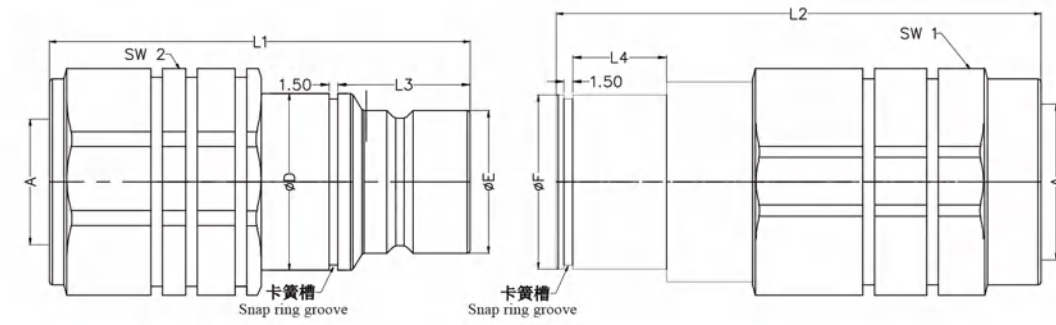
MK特性 Characteristics MK

Serie MK

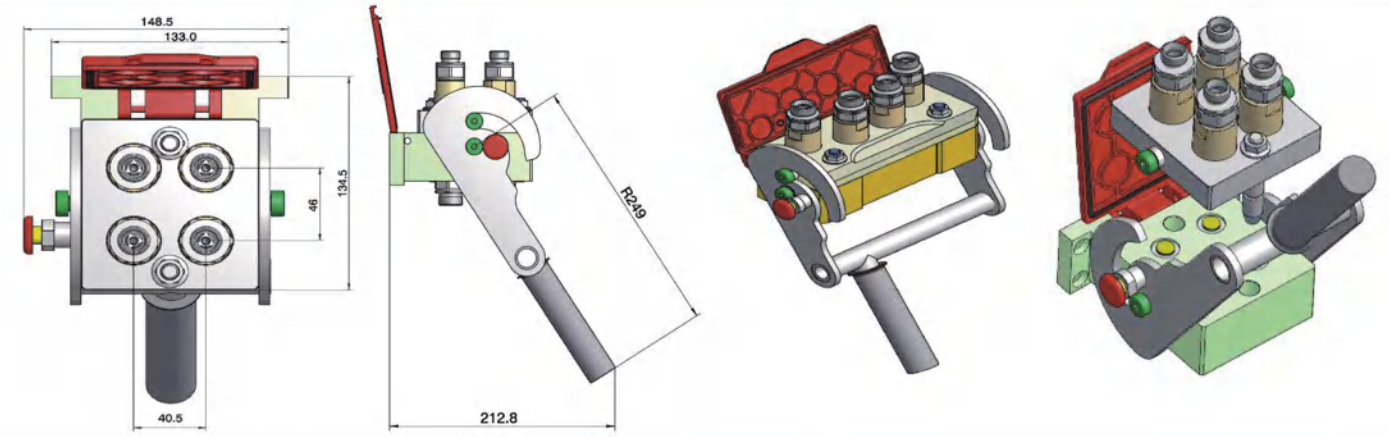


- 阀系统: 平面
 - 锁紧方式: 内部凸轮和锁销
 - 可选材质: 碳钢
 - 表面处理: Zn-Fe (Cr III) - Zn-Ni
 - 可选螺纹: BSP- NPT- SAE
 - 标准密封件: NBR
 - 工作温度: -25 °C +100 °C
 - 可选密封件: FKM, EPDM or more
 - 工作压力: 250-350 bar
 - 带压操作: 允许(仅可移动部分)
 - 最大带压操作压力: 工作压力
- Occlusion: flat face
 - Locking: lever with safety devices
 - Material: steel and aluminium
 - Finishing: Zn-Fe (Cr III)- Zn-Ni
 - Threads: BSP - NPT- SAE
 - Standard seals: NBR
 - Working temperature: -25 °C +100 °C
 - Optional seals: FKM, EPDM or more
 - Working pressure: 250-350 bar
 - Connection under pressure: allowed (mobile part only)
 - Max residual pressure: working pressure

标准尺寸 Nominal size	工作压力 Working pressure	额定流量 Rated flow (ISO)	最大流量 Max flow rate	爆破压力 Burst pressure			溢流量 Fluid spillage
	Mpa	l/min	l/min	公头Male	母头Female	连接Coupled	cc
FH/MK	ISO			Mpa	Mpa	Mpa	
FH10/MK	10	35	50	160	140	170	0.012
FH12/MK	12.5	45	90	140	140	170	0.02



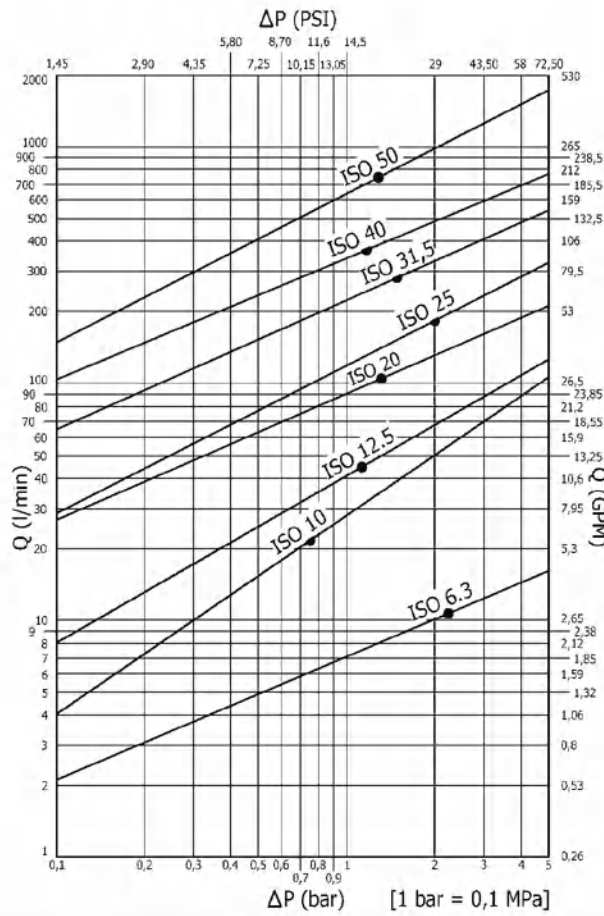
ISO	A部分 Port A	内螺纹DIN 3852 /Female Thread DIN 3852 尺寸 Dimensions(mm)								母头 Female Body Part Numbers	重量 Weight (g) ca	公头 Male Tip Part Numbers	重量 Weight (g) ca
		D	L1	L2	L3	L4	ØE	ØF	SW1				
10	G 3/8	69	60			32	19.79			FH10-F-38BSP/MK	309	FH10-M-38BSP/MK	152
	G 1/2	74	63			32	19.79			FH10-F-12BSP/MK	297	FH10-M-12BSP/MK	150
12.5	G 1/2	98	71			38	24.58			FH12-F-12BSP/MK	511	FH12-M-12BSP/MK	294
	G 3/4	104	71			38	24.58			FH12-F-34BSP/MK	474	FH12-M-34BSP/MK	295



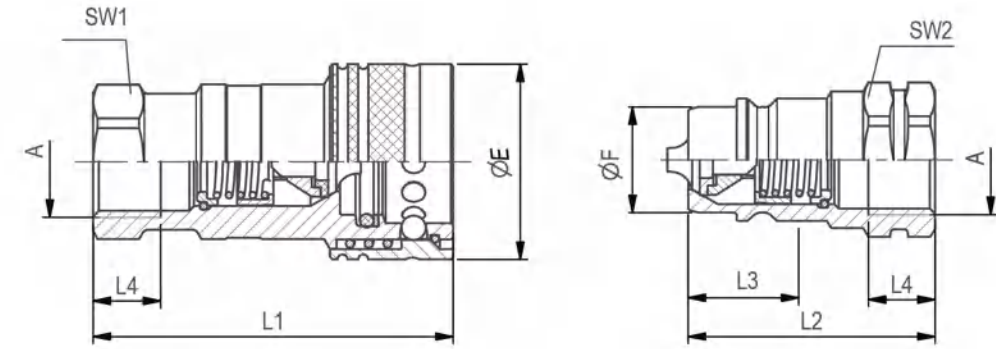
组合版本号 Part Numbers	A部分 Port A	尺寸 Dimensions(mm)						母头 Female Body Part Numbers	重量 Weight (g) ca	公头 Male Tip Part Numbers	重量 Weight (g) ca
		L	L1	L2	L3	L4					
2	G 3/8						MK02/FH10-F-38BSP		MK02/FH10-M-38BSP		
	G 1/2						MK02/FH12-F-12BSP		MK02/FH12-M-12BSP		
4	G 3/8						MK04/FH10-F-38BSP		MK04/FH10-M-38BSP		
	G 1/2						MK04/FH12-F-12BSP		MK04/FH12-M-12BSP		
6	G 3/8						MK06/FH10-F-38BSP		MK06/FH10-M-38BSP		
	G 1/2						MK06/FH12-F-12BSP		MK06/FH12-M-12BSP		

PAV 特性 Characteristics PAV

Serie PAV



- 标准: ISO 7241-1 A
 - 阀系统: 锥阀
 - 锁紧方式: 钢球锁定
 - 可选材质: 碳钢、316L 不锈钢, 黄铜
 - 表面处理: Zn-Fe (Cr III)
 - 可选螺纹: BSP- NPT-RC
 - 标准密封件: NBR
 - 工作温度: -25 °C +100 °C
 - 可选密封件: FKM, EPDM or more
 - 工作压力: 160-350 bar
 - 带压操作: 不允许
-
- Standard: ISO 7241-1 A
 - Occlusion: poppet
 - Locking: radial balls
 - Material: steel ,stainless steel AISI 316,brass
 - Finishing: Zn-Fe (Cr III)
 - Threads: BSP - NPT- RC
 - Standard seals: NBR
 - Working temperature: -25 °C +100 °C
 - Optional seals: FKM, EPDM or more
 - Working pressure: 160-350 bar
 - Connection under pressure: not allowed



标准尺寸 Nominal size	工作压力 Working pressure	额定流量 Rated flow (ISO)	最大流量 Max flow rate	爆破压力 Burst pressure			溢流量 Fluid spillage
PAV	ISO	Mpa	l/min	公头Male	母头Female	连接Coupled	cc
PAV06	6.3	30	12	180	120	140	0.5
PAV10	10	25	23	160	100	160	1.9
PAV13	12.5	25	45	150	110	190	2.7
PAV20	20	25	100	140	110	140	8
PAV25	25	25	189	130	100	140	10
PAV31	31.5	25	260	100	120	110	20
PAV39	40	20	379	80	80	80	32
PAV50	50	15	757	60	60	60	85

使用方法及安全警示:

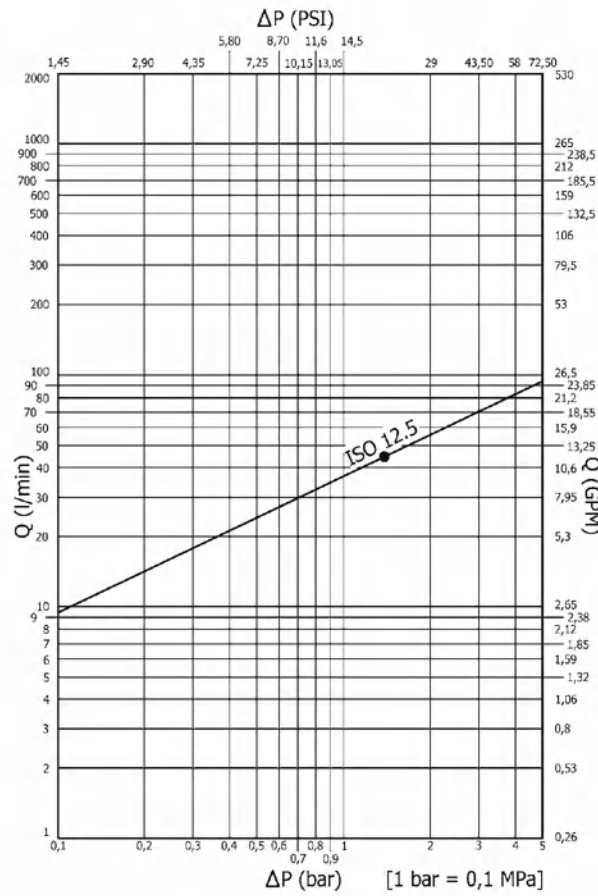
- 请务必对接前清洁对接表面, 避免污染物进入液压接头。
- 使用前, 请确认通过快速接头的介质是否适用于快速接头。
- 使用前, 请确认接头材质以及密封材质是否适用于选型快速接头工况。
- 液压系统存在动态压力的情况下, 请勿对接或者断开快速接头。
- 液压系统油温高于80°C时, 请勿对接或断开快速接头。
- 接头断开时, 不要让接头处在高脉冲压力下。
- 保持油路的清洁能够避免内部阀体的损坏。
- 快速接头断开时, 建议使用保护帽。

Usage and safety warning:

- Be sure to clean the connecting surface before connecting to prevent contaminants from entering the hydraulic couplings.
- Before use, please confirm whether the circulating medium is suitable for the quick release coupling.
- Before use, please confirm whether the coupling's material and the sealing material are suitable for the working condition of the quick release coupling.
- When there is dynamic pressure in the hydraulic system, do not connect or disconnect the quick release coupling.
- When the hydraulic system oil temperature is higher than 80°C, please do not connect or disconnect the quick release coupling.
- When the couplings are disconnected, do not let the couplings be under high pulse pressure.
- Keeping the oil circuit clean can avoid damage to the internal valve body.
- It is recommended to use a protective cap when the quick release couplings are disconnected.

ISO	A部分 Port A	内螺纹DIN 3852 /Female Thread DIN 3852							母头 Female Body	重量 Weight	公头 Male Tip	重量 Weight				
		尺寸 Dimensions(mm)											Part Numbers	(g) ca	Part Numbers	(g) ca
		D	L1	L2	L3	L4	ØE	ØF								
6.3	G1/4	49.2	35	13.7	26	11.85	19	PAV06-F-14BSP	106	PAV06-M-14BSP	37					
	NPT 1/4	49.2	35	13.7	26	11.85	19	PAV06-F-14NPT	107	PAV06-M-14NPT	38					
	RC1/4	49.2	35	13.7	26	11.85	19	PAV06-F-14RC	107	PAV06-M-14RC	38					
10	G 3/8	60.5	42.5	18	30	17.3	22	PAV10-F-38BSP	155	PAV10-M-38BSP	59					
	NPT 3/8	60.5	42.5	18	30	17.3	22	PAV10-F-38NPT	156	PAV10-M-38NPT	60					
	RC 3/8	60.5	42.5	18	30	17.3	22	PAV10-F-38RC	156	PAV10-M-38RC	60					
	M18*1.5	60.5	42.5	18	30	17.3	22	PAV10-F-M18	156	PAV10-M-M18	60					
12.5	G1/2	70	48	21.5	38	20.55	27	PAV13-F-12BSP	269	PAV13-M-12BSP	98					
	NPT 1/2	70	48	21.5	38	20.55	27	PAV13-F-12NPT	269	PAV13-M-12NPT	98					
	RC1/2	70	48	21.5	38	20.55	27	PAV13-F-12RC	269	PAV13-M-12RC	98					
	M22*1.5	70	48	21.5	38	20.55	27	PAV13-F-M22	260	PAV13-M-M22	90					
20	G 3/4	84	57	26.8	45	29.1	34	PAV20-F-34BSP	428	PAV20-M-34BSP	180					
	NPT 3/4	84	57	26.8	45	29.1	34	PAV20-F-34NPT	433	PAV20-M-34NPT	186					
25	G 1	101	67.5	33	52	34.35	41	PAV25-F-1BSP	700	PAV25-M-1BSP	304					
	NPT 1	101	67.5	33	52	34.35	41	PAV25-F-1NPT	700	PAV25-M-1NPT	313					
31.5	G 1 1/4	117	75	41.3	70	45	50	PAV31-F-114BSP	1515	PAV31-M-114BSP	559					
	NPT 1 1/4	117	75	41.3	70	45	50	PAV31-F-114NPT	1532	PAV31-M-114BSP	572					
40	G 1 1/2	133	83.5	48.8	82	55	60	PAV39-F-112BSP	2445	PAV39-M-112BSP	918					
	NPT 1 1/2	133	83.5	48.8	82	55	60	PAV39-F-112NPT	2464	PAV39-M-112NPT	938					
50	G 2	169	108	60	99	65.1	75	PAV50-F-2BSP	5000	PAV50-M-2BSP	1804					
	NPT 2	169	108	60	99	65.1	75	PAV50-F-2NPT	5010	PAV50-M-2NPT	1820					

PPK 特性 Characteristics PPK



- 标准: ISO 7241-1 A
- 套筒: 双作用推拉
- 阀系统: 锥阀
- 锁紧方式: 钢球锁定
- 可选材质: 碳钢
- 表面处理: Zn-Fe (Cr III)
- 可选螺纹: BSP- NPT - SAE-METRICS
- 标准密封件: NBR
- 工作温度: -25 °C +100 °C
- 可选密封件: FKM, EPDM or more
- 工作压力: 250bar
- 带压操作: 允许 (仅限公头)
- 最大带压操作压力: 工作压力

- Standard: ISO 7241-1 A
- Sleeve: double acting
- Occlusion: poppet
- Locking: radial balls
- Material: steel
- Finishing: Zn-Fe (Cr III)
- Threads: BSP - NPT - SAE - METRICS
- Standard seals: NBR
- Working temperature: -25 °C +100 °C
- Optional seals: FKM, EPDM or more
- Working pressure: 250 bar
- Connection under pressure: allowed (male side only)
- Max residual pressure: 250 bar

标准尺寸 Nominal size	工作压力 Working pressure	额定流量 Rated flow (ISO)	最大流量 Max flow rate	爆破压力 Burst pressure			溢流量 Fluid spillage
PPK	ISO	Mpa	l/min	公头Male	母头Female	连接Coupled	cc
PPK13	12.5	25	45	110	190	2.7	

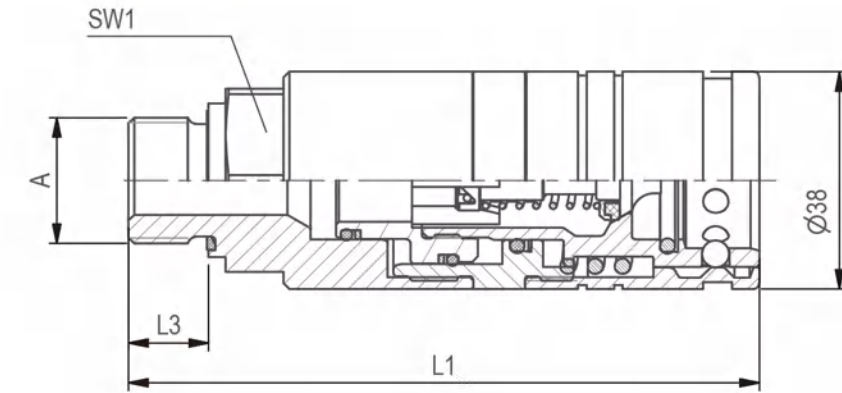
使用方法及安全警示:

- 请务必对接前清洁对接表面, 避免污染物进入液压接头。
- 使用前, 请确认通过快速接头的介质是否适用于快速接头。
- 使用前, 请确认接头材质以及密封材质是否适用于选型快速接头工况。
- 液压系统存在动态压力的情况下, 请勿对接或者断开快速接头。
- 液压系统油温高于80°C时, 请勿对接或断开快速接头。
- 接头断开时, 不要让接头处在高脉冲压力下。
- 保持油路的清洁能够避免内部阀体的损坏。
- 快速接头断开时, 建议使用保护帽。

Usage and safety warning:

- Be sure to clean the connecting surface before connecting to prevent contaminants from entering the hydraulic couplings.
- Before use, please confirm whether the circulating medium is suitable for the quick release coupling.
- Before use, please confirm whether the coupling's material and the sealing material are suitable for the working condition of the quick release coupling.
- When there is dynamic pressure in the hydraulic system, do not connect or disconnect the quick release coupling.
- When the hydraulic system oil temperature is higher than 80°C, please do not connect or disconnect the quick release coupling.
- When the couplings are disconnected, do not let the couplings be under high pulse pressure.
- Keeping the oil circuit clean can avoid damage to the internal valve body.
- It is recommended to use a protective cap when the quick release couplings are disconnected.

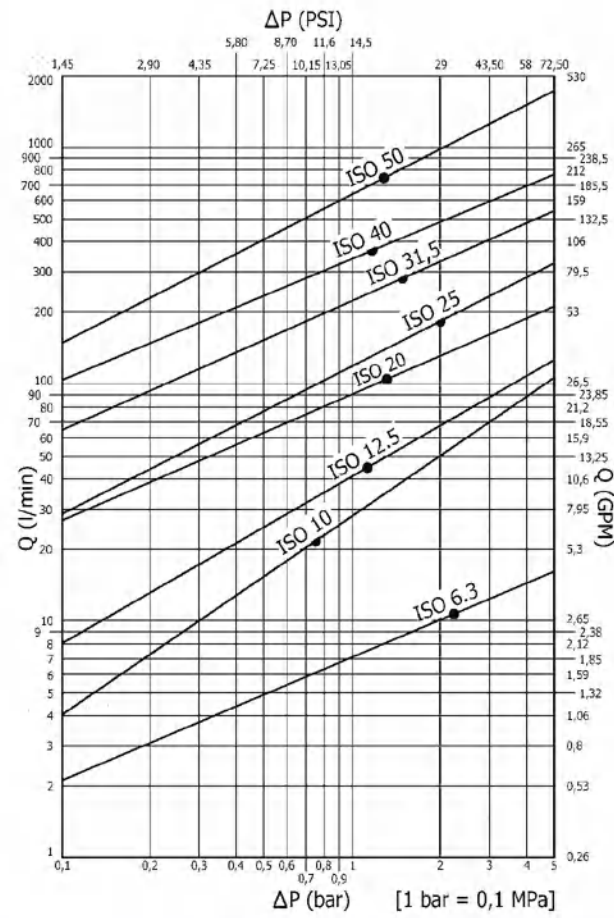
Serie PPK



内螺纹DIN 3852 /Female Thread DIN 3852														
ISO	A部分 Port A	尺寸 Dimensions(mm)								母头 Female Body		重量	公头	重量
		D	L1	L2	L3	L4	ØE	ØF	SW1	SW2	Part Numbers	Weight (g) ca	Part Numbers	Weight (g) ca
12.5	G1/2		107			15	38			32	PPK13-F-12BSP	604		
	NPT 1/2		107			14	38			32	PPK13-F-12NPT	608		

外螺纹24°锥形DIN 3861 /Male stud with type W bore (24°) to DIN 3861														
ISO	A部分 Port A	尺寸 Dimensions(mm)								母头 Female Body		重量	公头	重量
		D	L1	L2	L3	L4	ØE	ØF	SW1	SW2	Part Numbers	Weight (g) ca	Part Numbers	Weight (g) ca
12.5	M22x1,5		110			14	38			32	PPK13-F-AMF22	596		
	M18x1,5		110			14	38			32	PPK13-F-AMF18	619		

PBV 特性 Characteristics PBV



- 标准: ISO 7241-1 B
 - 阀系统: 锥阀
 - 锁紧方式: 钢球锁定
 - 可选材质: 碳钢、316L 不锈钢、黄铜
 - 表面处理: Zn-Fe (Cr III)
 - 可选螺纹: BSP- NPT
 - 标准密封件: NBR
 - 工作温度: -25 °C +100 °C
 - 可选密封件: FKM, EPDM or more
 - 工作压力: 100-500 bar
 - 带压操作: 不允许
-
- Standard: ISO 7241-1 B
 - Occlusion: poppet
 - Locking: radial balls
 - Material: steel, stainless steel AISI 316, brass
 - Finishing: Zn-Fe (Cr III)
 - Threads: BSP - NPT
 - Standard seals: NBR
 - Working temperature: -25 °C +100 °C
 - Optional seals: FKM, EPDM or more
 - Working pressure: 100-500 bar
 - Connection under pressure: not allowed

标准尺寸 Nominal size		工作压力 Working pressure	额定流量 Rated flow (ISO)	最大流量 Max flow rate	爆破压力 Burst pressure			溢流量 Fluid spillage
PBV	ISO	Mpa	l/min	l/min	公头Male	母头Female	连接Coupled	cc
PBV06	6.3	30	12	24	Mpa	Mpa	Mpa	
PBV10	10	25	23	46				
PBV13	12.5	25	45	90				
PBV20	20	25	100	200				
PBV25	25	25	189	280				
PBV39	40	20	379	750				
PBV50	50	15	757	1000				

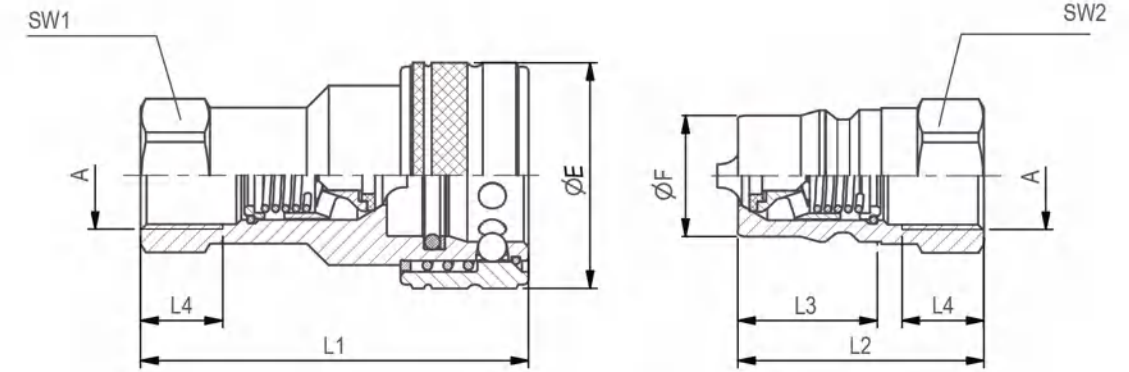
使用方法及安全警示:

- 请务必对接前清洁对接表面, 避免污染物进入液压接头。
- 使用前, 请确认通过快速接头的介质是否适用于快速接头。
- 使用前, 请确认接头材质以及密封材质是否适用于选型快速接头工况。
- 液压系统存在动态压力的情况下, 请勿对接或者断开快速接头。
- 液压系统油温高于80°C时, 请勿对接或断开快速接头。
- 接头断开时, 不要让接头处在高脉冲压力下。
- 保持油路的清洁能够避免内部阀体的损坏。
- 快速接头断开时, 建议使用保护帽。

Usage and safety warning:

- Be sure to clean the connecting surface before connecting to prevent contaminants from entering the hydraulic couplings.
- Before use, please confirm whether the circulating medium is suitable for the quick release coupling.
- Before use, please confirm whether the coupling's material and the sealing material are suitable for the working condition of the quick release coupling.
- When there is dynamic pressure in the hydraulic system, do not connect or disconnect the quick release coupling.
- When the hydraulic system oil temperature is higher than 80°C, please do not connect or disconnect the quick release coupling.
- When the couplings are disconnected, do not let the couplings be under high pulse pressure.
- Keeping the oil circuit clean can avoid damage to the internal valve body.
- It is recommended to use a protective cap when the quick release couplings are disconnected.

Serie PBV



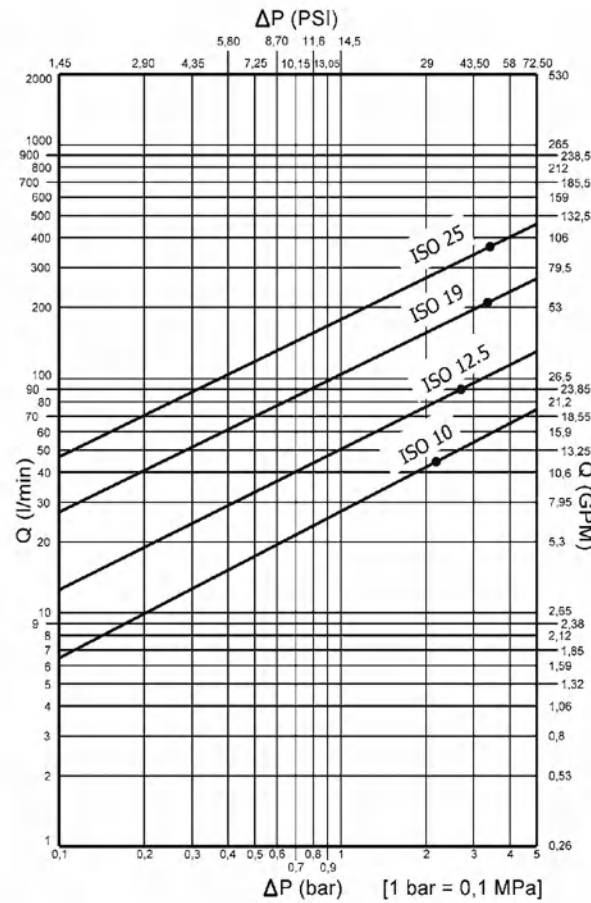
ISO	A部分 Port A	内螺纹DIN 3852 /Female Thread DIN 3852							母头 Female Body	重量 Weight (g) ca	公头 Male Tip	重量 Weight (g) ca
		尺寸 Dimensions(mm)										
		D	L1	L2	L3	L4	ØE	ØF	SW1	SW2	Part Numbers	Part Numbers
6.3	G1/4	60	38	21.5	28	14.2	19				PBV06-F-14BSP	PBV06-M-14BSP
	NPT 1/4	60	38	21.5	28	14.2	19				PBV06-F-14NPT	PBV06-M-14NPT
10	G 3/8	60.5	42.5	24.2	35	19.1	22				PBV10-F-38BSP	PBV10-M-38BSP
	NPT 3/8	60.5	42.5	24.2	35	19.1	22				PBV10-F-38NPT	PBV10-M-38NPT
12.5	G1/2	75.7	48	27.2	44	23.55	27				PBV13-F-12BSP	PBV13-M-12BSP
	NPT 1/2	75.7	48	27.2	44	23.55	27				PBV13-F-12NPT	PBV13-M-12NPT
20	G 3/4	91	57	34	52	31.45	34				PBV20-F-34BSP	PBV20-M-34BSP
	NPT 3/4	91	57	34	52	31.45	34				PBV20-F-34NPT	PBV20-M-34NPT
25	G 1	105.8	65.5	39.3	60	37.77	41				PBV25-F-1BSP	PBV25-M-1BSP
	NPT	105.8	65.5	39.3	60	37.77	41				PBV25-F-1NPT	PBV25-M-1BSP
40	G 1 1/2	126.5	127	52	79	44.49	65				PBV39-F-112BSP	PBV39-M-112BSP
	NPT 1 1/2	126.5	127	52	79	44.49	65				PBV39-F-112NPT	PBV39-M-112NPT
50	G 2	142	142	63	99	65.1	75				PBV50-F-2BSP	PBV50-M-2BSP
	NPT 2	142	142	63	99	65.1	75				PBV50-F-2NPT	PBV50-M-2NPT

*材质316L不锈钢型号为PBVX如: PBVX10-F-38BSP/PBVX10-M-38BSP;
材质黄铜型号为PBVM如: PBVM10-F-38BSP/PBVM10-M-38BSP

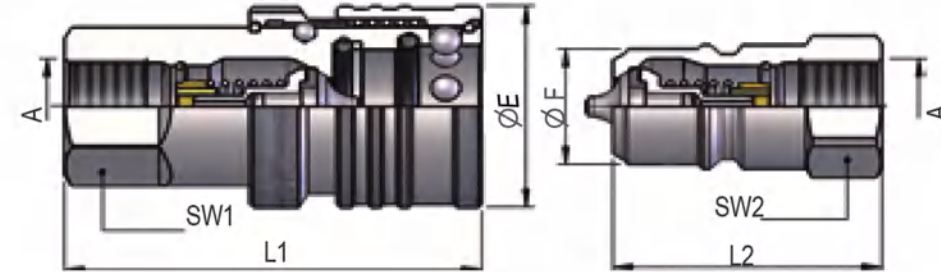
*The item of material 316L stainless steel is PBVX, eg: PBVX10-F-38BSP/PBVX10-M-38BSP;
The item of material brass is PBVM, eg: PBVM10-F-38BSP/PBVM10-M-38BSP

PTK 特性 Characteristics PTK

Serie PTK



- 互换性: TEMAT系列
 - 阀系统: 背压卸荷阀
 - 锁紧方式: 钢球锁定
 - 可选材质: 碳钢
 - 表面处理: Zn-Fe (Cr III) - Zn-Ni
 - 可选螺纹: BSP-NPT
 - 标准密封件: NBR
 - 工作温度: -25 °C +100 °C
 - 可选密封件: FKM, EPDM or more
 - 工作压力: 300-370 bar
 - 带压操作: 允许(公头与母头两边均可)
 - 最大带压操作压力: 工作压力
- Interchange: Tema T series
 - Occlusion: decompression valve
 - Locking: radial balls
 - Material: steel
 - Finishing: Zn-Fe (Cr III) Zn-Ni
 - Threads: BSP - NPT
 - Standard seals: NBR
 - Working temperature: -25 °C +100 °C
 - Optional seals: FKM, EPDM or more
 - Working pressure: 300-370 bar
 - Connection under pressure: allowed (both male or female side)
 - Max residual pressure: working pressure



标准尺寸 Nominal size	工作压力 Working pressure	额定流量 Rated flow (ISO)	最大流量 Max flow rate	爆破压力 Burst pressure	溢流量 Fluid spillage			
PTK	ISO	Mpa	l/min	公头Male	母头Female	连接Coupled	cc	
PTK10	10	37	45	90	110	140	130	2.5
PTK13	12.5	35	90	160	110	130	120	6
PTK20	20	35	212	300	90	110	110	20
PTK25	25	35	380	500	90	100	110	35

使用方法及安全警示:

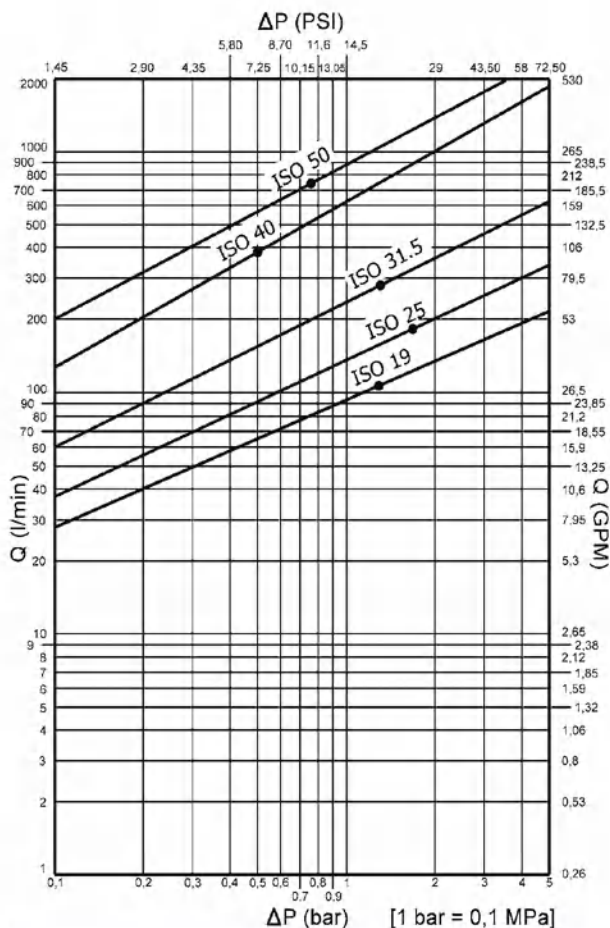
- 请务必对接前清洁对接表面, 避免污染物进入液压接头。
- 使用前, 请确认通过快速接头的介质是否适用于快速接头。
- 使用前, 请确认接头材质以及密封材质是否适用于选型快速接头工况。
- 带残压操作中的“残压”是指静压状态下的残存压力。
- 液压系统存在动态压力的情况下, 请勿对接或者断开快速接头。
- 液压系统油温高于80°C时, 请勿对接或断开快速接头。
- 接头断开时, 不要让接头处在高脉冲压力下。
- 保持油路的清洁能够避免内部阀体的损坏。
- 快速接头断开时, 建议使用保护帽。

Usage and safety warning:

- Be sure to clean the connecting surface before connecting to prevent contaminants from entering the hydraulic couplings.
- Before use, please confirm whether the circulating medium is suitable for the quick release coupling.
- Before use, please confirm whether the coupling's material and the sealing material are suitable for the working condition of the quick release coupling.
- The "residual pressure" in the operation "Connection under pressure" refers to the residual pressure in a static pressure state.
- When there is dynamic pressure in the hydraulic system, do not connect or disconnect the quick release coupling.
- When the hydraulic system oil temperature is higher than 80°C, please do not connect or disconnect the quick release coupling.
- When the couplings are disconnected, do not let the couplings be under high pulse pressure.
- Keeping the oil circuit clean can avoid damage to the internal valve body.
- It is recommended to use a protective cap when the quick release couplings are disconnected.

内螺纹DIN 3852 / Female Thread DIN 3852

ISO	A部分 Port A	尺寸 Dimensions(mm)							母头 Female Body		重量 Weight	公头 Male Tip	重量 Weight	
		D	L1	L2	L3	L4	ØE	ØF	SW1	SW2	Part Numbers	(g) ca	Part Numbers	(g) ca
10	G 3/8		66	42.5			35	20	24	22	PTK10-F-38BSP	250	PTK10-M-38BSP	70
	NPT 3/8		66	42.5			35	20	24	22	PTK10-F-38NPT	252	PTK10-M-38NPT	72
12.5	G 1/2		74	49			40	24.8	30	27	PTK13-F-12BSP	360	PTK13-M-12BSP	117
	NPT 1/2		74	49			40	24.8	30	27	PTK13-F-12NPT	363	PTK13-M-12NPT	120
20	G 3/4		79.3	50			52	32.7	38	36	PTK20-F-34BSP	623	PTK20-M-34BSP	213
	NPT 3/4		79.3	50			52	32.7	38	36	PTK20-F-34NPT	630	PTK20-M-34NPT	220
25	G 1		92.5	57			62.2	40.9	45	46	PTK25-F-1BSP	974	PTK25-M-1BSP	350
	NPT 1		92.5	57			62.2	40.9	45	46	PTK25-F-1NPT	982	PTK25-M-1NPT	357



- 互换性: Snap-Tite 75系列
- 阀系统: 锥阀
- 锁紧方式: 螺纹锁定
- 可选材质: 碳钢
- 表面处理: Zn-Fe (Cr III)
- 可选螺纹: BSP- NPT
- 标准密封件: NBR
- 工作温度: -25 °C +100 °C
- 可选密封件: FKM, EPDM or more
- 工作压力: 350bar
- 带压操作: 允许(公头与母头两边均可)
- 最大带压操作压力: 100 bar

- Interchange: Snap-Tite 75
- Occlusion: poppet
- Locking: screw
- Material: steel
- Steel finishing: Zn-Fe (Cr III)
- Threads: BSP - NPT
- Standard seals: NBR
- Working temperature: -25 °C +100 °C
- Optional seals: FKM, EPDM or more
- Working pressure: 350 bar
- Connection under pressure: allowed (both male or female side)
- Max residual pressure: 100 bar

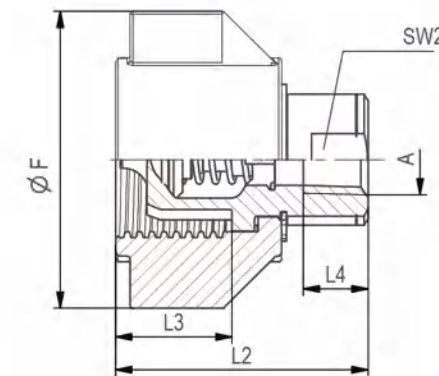
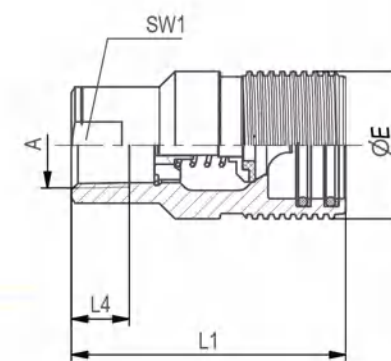
标准尺寸 Nominal size	工作压力 Working pressure	额定流量 Rated flow (ISO)	最大流量 Max flow rate	爆破压力 Burst pressure	溢流量 Fluid spillage
ISO	Mpa	l/min	l/min	Mpa	cc
HV19	19	35	106	190	8
HV25	25	35	189	280	16
HV31	31.5	35	288	480	31
HV39	40	35	379	700	64
HV50	50	35	757	1000	141
HV75	75	25	1500	60	430

使用方法及安全警示:

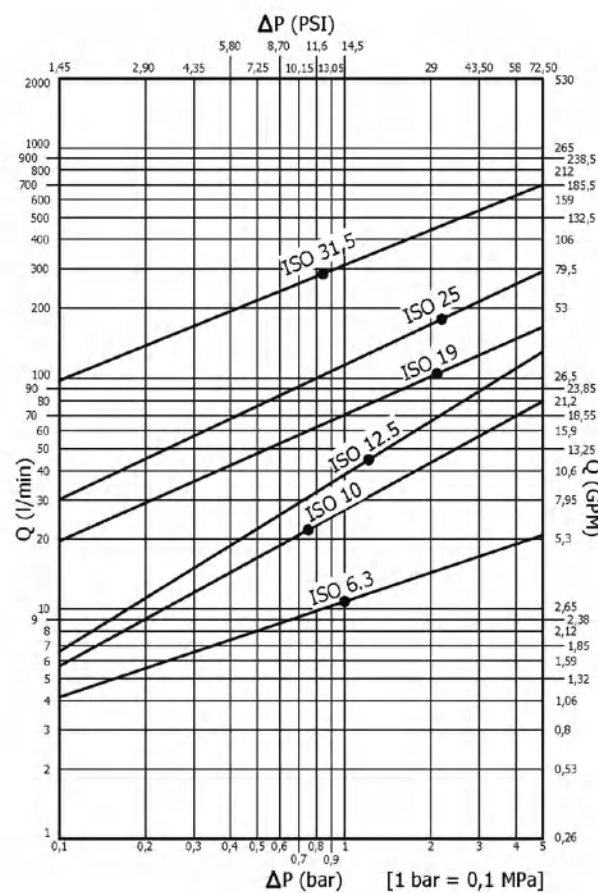
- 请务必对接前清洁对接表面, 避免污染物进入液压接头。
- 使用前, 请确认通过快速接头的介质是否适用于快速接头。
- 使用前, 请确认接头材质以及密封材质是否适用于选型快速接头工况。
- 带残压操作中的“残压”是指静压状态下的残存压力。
- 液压系统存在动态压力的情况下, 请勿对接或者断开快速接头。
- 液压系统油温高于80°C时, 请勿对接或断开快速接头。
- 对接时旋转公接头的套筒使其完全覆盖住母头上的螺纹。
- 如有需要可通过观察孔确保接头是否完全连接。
- 如液压系统存在高残压工况, 拆装需借助工具。
- 接头断开时, 不要让接头处在高脉冲压力下。
- 保持油路的清洁能够避免内部阀体的损坏。
- 快速接头断开时, 建议使用保护帽。

Usage and safety warning:

- Be sure to clean the connecting surface before connecting to prevent contaminants from entering the hydraulic couplings.
- Before use, please confirm whether the circulating medium is suitable for the quick release coupling.
- Before use, please confirm whether the coupling's material and the sealing material are suitable for the working condition of the quick release coupling.
- The "residual pressure" in the operation "Connection under pressure" refers to the residual pressure in a static pressure state.
- When there is dynamic pressure in the hydraulic system, do not connect or disconnect the quick release coupling.
- When the hydraulic system oil temperature is higher than 80°C, please do not connect or disconnect the quick release coupling.
- When connecting, rotate the sleeve of the male body to completely cover the thread on the female body.
- If necessary, use the observation hole to ensure that the coupling is fully connected.
- If the hydraulic system has high residual pressure conditions, tools must be used for disassembly and assembly.
- When the couplings are disconnected, do not let the couplings be under high pulse pressure.
- Keeping the oil circuit clean can avoid damage to the internal valve body.
- It is recommended to use a protective cap when the quick release couplings are disconnected.



ISO	A部分 Port A	尺寸 Dimensions(mm)							母头 Female Body		重量	公头	重量
		D	L1	L2	L3	L4	ØE	ØF	SW1	SW2	Part Numbers	Weight (g) ca	Part Numbers
19	G 3/4	83	62	22		44.5	72	32		HV19-F-34BSP	480	HV19-M-34BSP	840
	NPT 3/4	83	62	22		44.5	72	32		HV19-F-34NPT	480	HV19-M-34NPT	840
25	G1	106	87.6	40		57	102	41.3		HV25-F-1BSP	1100	HV25-M-1BSP	1145
	NPT1	106	87.6	40		57	102	41.3		HV25-F-1NPT	1100	HV25-M-1NPT	1145
31.5	G1 1/4	136	113	51		66.5	102			HV31-F-114BSP	1870	HV31-M-114BSP	2530
	NPT1 1/4	136	113	51		66.5	102			HV31-F-114NPT	1870	HV31-M-114NPT	2530
40	G 1 1/2	152	134	64.3		82.5	140	55	55	HV39-F-112BSP	3100	HV39-M-112BSP	4010
	NPT 1 1/2	152	134	64.3		82.5	140	55	55	HV39-F-112NPT	3100	HV39-M-112NPT	4010
50	G 2	179	152	75.5		101	162	75	75	HV50-F-2BSP	5570	HV50-M-2BSP	7935
	NPT 2	179	152	75.5		101	162	75	75	HV50-F-2NPT	5570	HV50-M-2NPT	7935
75	G 3	294	238	29		152	255	125	110	HV75-F-3BSP	22000	HV75-M-3BSP	26400
	M100*2	294	238	29		152	255	125	110	HV75-F-M100	22000	HV75-M-M100	26400



- 标准: ISO 14541
 - 阀系统: 锥阀
 - 锁紧方式: 螺纹锁定
 - 可选材质: 碳钢
 - 表面处理: Zn-Fe (Cr III)
 - 可选螺纹: BSP- NPT- SAE
 - 标准密封件: NBR
 - 工作温度: -25 °C +100 °C
 - 可选密封件: FKM, EPDM or more
 - 工作压力: 300-450 bar
 - 带压操作: 允许(公头与母头两边均可)
 - 最大带压操作压力: 100bar
- Standard: ISO 14541
 - Occlusion: poppet
 - Locking: screw
 - Material: steel
 - Finishing: Zn-Fe (Cr III)
 - Threads: BSP - NPT - SAE
 - Standard seals: NBR
 - Working temperature: -25 °C +100°C
 - Optional seals: FKM, EPDM or more
 - Working pressure: 300-450 bar
 - Connection under pressure: allowed (both male or female side)
 - Max residual pressure: 100bar

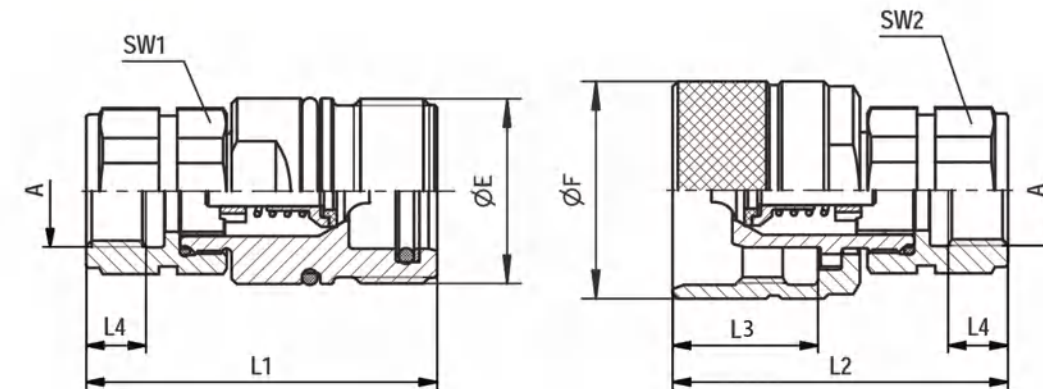
标准尺寸 Nominal size	工作压力 Working pressure	额定流量 Rated flow (ISO)	最大流量 Max flow rate	爆破压力 Burst pressure	溢流量 Fluid spillage
HS	ISO	Mpa	l/min	l/min	Mpa
HS04	6.3	45	12	17	190
HS08	10	40	23	46	130
HS10	12.5	40	45	90	126
HS12	19	35	106	190	120
HS20	25	35	189	280	120
HS25	31.5	35	288	480	100

使用方法及安全警示:

- 请务必对接前清洁对接表面, 避免污染物进入液压接头。
- 使用前, 请确认通过快速接头的介质是否适用于快速接头。
- 使用前, 请确认接头材质以及密封材质是否适用于选型快速接头工况。
- 带残压操作中的“残压”是指静压状态下的残存压力。
- 液压系统存在动态压力的情况下, 请勿对接或者断开快速接头。
- 液压系统油温高于80°C时, 请勿对接或断开快速接头。
- 对接时旋转公接头的套筒使其完全覆盖住母接头上的醒目色O型圈。
- 如液压系统存在高残压工况, 拆装需借助工具。
- 接头断开时, 不要让接头处在高脉冲压力下。
- 保持油路的清洁能够避免内部阀体的损坏。
- 快速接头断开时, 建议使用保护帽。

Usage and safety warning:

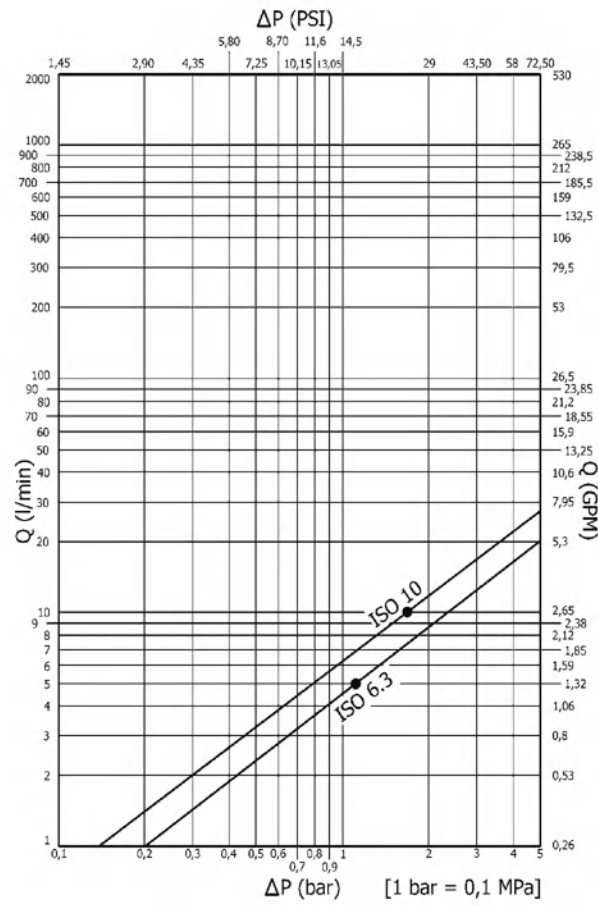
- Be sure to clean the connecting surface before connecting to prevent contaminants from entering the hydraulic couplings.
- Before use, please confirm whether the circulating medium is suitable for the quick release coupling.
- Before use, please confirm whether the coupling's material and the sealing material are suitable for the working condition of the quick release coupling.
- The "residual pressure" in the operation "Connection under pressure" refers to the residual pressure in a static pressure state.
- When there is dynamic pressure in the hydraulic system, do not connect or disconnect the quick release coupling.
- When the hydraulic system oil temperature is higher than 80°C, please do not connect or disconnect the quick release coupling.
- When connecting, rotate the sleeve of the male body to completely cover the eye-catching O-ring on the female body.
- If the hydraulic system has high residual pressure conditions, tools must be used for disassembly and assembly.
- When the couplings are disconnected, do not let the couplings be under high pulse pressure.
- Keeping the oil circuit clean can avoid damage to the internal valve body.
- It is recommended to use a protective cap when the quick release couplings are disconnected.



ISO	A部分 Port A	内螺纹DIN 3852 /Female Thread DIN 3852								母头 Female Body	重量 Weight (g) ca	公头 Male Tip	重量 Weight (g) ca	
		尺寸 Dimensions(mm)												
		D	L1	L2	L3	L4	ØE	ØF	SW1	SW2	Part Numbers		Part Numbers	
6	G 1/4	60	58	14.8		M24*2	35	19	30	HS04-F-14BSP	120	HS04-M-14BSP	182	
	NPT 1/4	60	58	14.8		M24*2	35	19	30	HS04-F-14NPT	120	HS04-M-14NPT	190	
10	G 3/8	64	61	14.8		M28*2	34	22	30	HS08-F-38BSP	160	HS08-M-38BSP	170	
	NPT 3/8	64	61	14.8		M28*2	34	22	30	HS08-F-38NPT	160	HS08-M-38NPT	170	
12.5	G 1/2	68	66	17		M36*2	42	30	36	HS10-F-12BSP	292	HS10-M-12BSP	270	
	NPT 1/2	68	66	17		M36*2	42	30	36	HS10-F-12NPT	296	HS10-M-12NPT	274	
19	G 3/4	85	76	21		M42*2	48	36	41	HS12-F-34BSP	526	HS12-M-34BSP	490	
	NPT 3/4	85	76	21		M42*2	48	36	41	HS12-F-34NPT	550	HS12-M-34NPT	476	
25	G 1	99	82	26		M48*3	55	41	50	HS20-F-1BSP	780	HS20-M-1BSP	601	
	NPT 1	99	82	26		M48*3	55	41	50	HS20-F-1NPT	780	HS20-M-1NPT	601	
31.5	G1 1/4	126	131	35.5		M70*3	85	55	80	HS25-F-114BSP	1630	HS25-M-114BSP	2329	
	G1 1/2	128	133	35.5		M70*3	85	55	80	HS25-F-112BSP	1715	HS25-M-112BSP	2260	

PVM特性 Characteristics PVM

Serie PVM



- 标准: ISO 14541
 - 阀系统: 锥阀、钢球
 - 锁紧方式: 螺纹锁定
 - 可选材质: 碳钢
 - 表面处理: Zn-Fe (Cr III)
 - 可选螺纹: BSP- NPT
 - 标准密封件: NBR
 - 工作温度: -25 °C +100 °C
 - 可选密封件: FKM, EPDM or more
 - 工作压力: 700 bar
 - 带压操作: 允许(公头与母头两边均可)
 - 最大带压操作压力: 100bar
-
- Standard: ISO 14541
 - Occlusion: ball, poppet
 - Locking: screw
 - Material: steel
 - Finishing: Zn-Fe (Cr III)
 - Threads: BSP - NPT
 - Standard seals: NBR
 - Working temperature: -25 °C +100°C
 - Optional seals: FKM, EPDM or more
 - Working pressure: 700 bar
 - Connection under pressure: allowed (both male or female side)
 - Max residual pressure: 100bar

标准尺寸 Nominal size	工作压力 Working pressure	额定流量 Rated flow (ISO)	最大流量 Max flow rate	爆破压力 Burst pressure			溢流量 Fluid spillage	
				公头Male	母头Female	连接Coupled		
PVM	ISO	Mpa	l/min	l/min	Mpa	Mpa	Mpa	cc
PVM06	6.3	70	5	10	270	200	220	0.2
PVM10	10	70	9	20	280	300	330	0.6

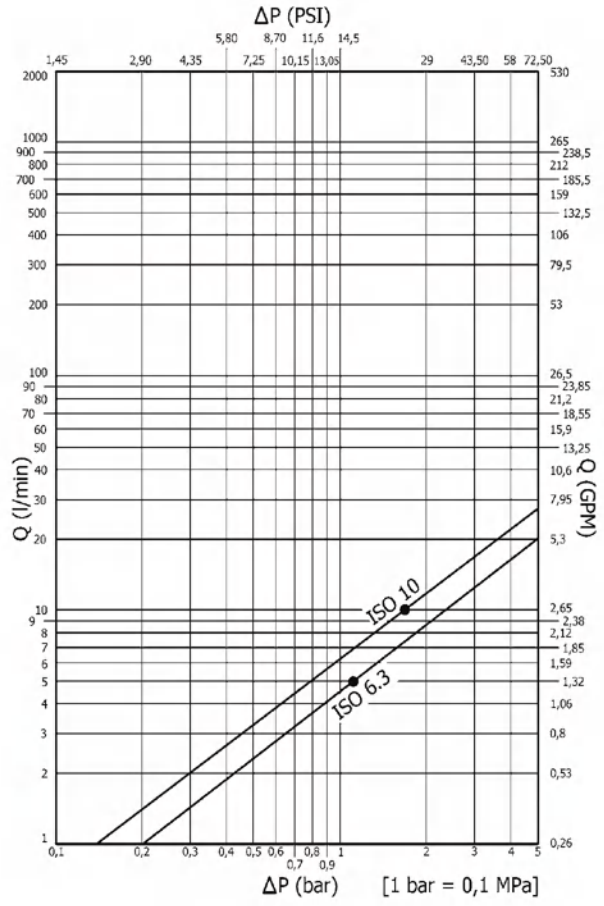


内螺纹DIN 3852 /Female Thread DIN 3852														
ISO	A部分 Port A	尺寸 Dimensions(mm)							母头 Female Body		重量	公头	重量	
		D	L1	L2	L3	L4	ØE	ØF	SW1	SW2	Part Numbers	Weight (g) ca	Part Numbers	Weight (g) ca
6.3	G 1/4		51.3	40.5			30	15.9	22	19	PVM06-F-14BSP	149	PVM06-M-14BSP	90
	NPT 1/4		51.3	40.5			30	15.9	22	19	PVM06-F-14NPT	150	PVM06-M-14NPT	91
10	NPT 3/8			42.5					19	32			PVM10-M-38NPT	138

外螺纹24°锥形DIN 3861 /Male stud with type W bore (24°) to DIN 3861														
ISO	A部分 Port A	尺寸 Dimensions(mm)							母头 Female Body		重量	公头	重量	
		D	L1	L2	L3	L4	ØE	ØF	SW1	SW2	Part Numbers	Weight (g) ca	Part Numbers	Weight (g) ca
6.3	NPT 1/4		51.8				30		22		PVM06-F-14ANF	131		
	NPT 3/8		56				35		24		PVM10-F-38ANF	165		

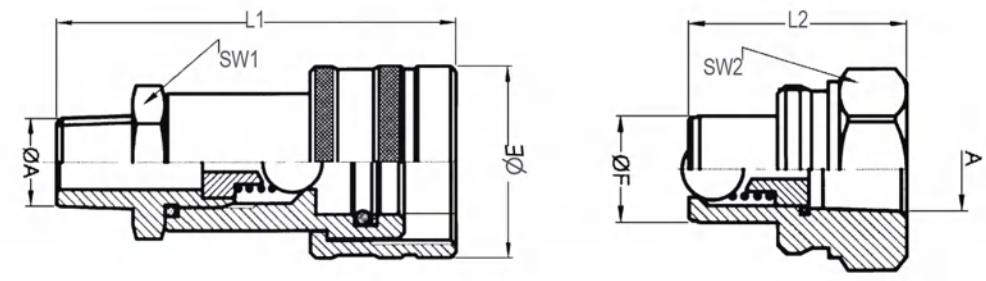
PVS特性 Characteristics PVS

Serie PVS



- 标准: ISO 14540
 - 阀系统: 锥阀、钢球
 - 锁紧方式: 螺纹锁定
 - 可选材质: 碳钢
 - 表面处理: Zn-Fe (Cr III)
 - 可选螺纹: BSP- NPT
 - 标准密封件: NBR
 - 工作温度: -25 °C +100 °C
 - 可选密封件: FKM, EPDM or more
 - 工作压力: 700 bar
 - 带压操作: 允许
 - 最大带压操作压力: 100bar
-
- Standard: ISO 14540
 - Occlusion: ball, poppet
 - Locking: screw
 - Material: steel
 - Finishing: Zn-Fe (Cr III)
 - Threads: BSP - NPT
 - Standard seals: NBR
 - Working temperature: -25 °C +100°C
 - Optional seals: FKM, EPDM or more
 - Working pressure: 700 bar
 - Connection under pressure: allowed
 - Max residual pressure: 100bar

标准尺寸 Nominal size	ISO	工作压力 Working pressure Mpa	额定流量 Rated flow (ISO) l/min	最大流量 Max flow rate l/min	爆破压力 Burst pressure			溢流量 Fluid spillage cc
					公头Male Mpa	母头Female Mpa	连接Coupled Mpa	
PVS	ISO	Mpa	l/min	l/min	Mpa	Mpa	Mpa	cc
PVS06	6.3	70	5	10	270	200	220	0.2
PVS10	10	70	9	20	280	300	330	0.6



内螺纹DIN 3852 /Female Thread DIN 3852														
ISO	A部分 Port A	尺寸 Dimensions(mm)								母头 Female Body Part Numbers	重量 Weight (g) ca	公头 Male Tip Part Numbers	重量 Weight (g) ca	
		D	L1	L2	L3	L4	ØE	ØF	SW1					SW2
6.3	NPT 1/4		56	39			30	15.8	22	19	PVS06-F-14NPT	162	PVS06-M-14NPT	120
10	G 3/8		66	40.5			35	19	24	32	PVS10-F-38BSP	249	PVS10-M-38BSP	144
	NPT 3/8		66	40.5			35	19	24	32	PVS10-F-38NPT	250	PVS10-M-38NPT	145

外螺纹24°锥形DIN 3861 /Male stud with type W bore (24°) to DIN 3861														
ISO	A部分 Port A	尺寸 Dimensions(mm)								母头 Female Body Part Numbers	重量 Weight (g) ca	公头 Male Tip Part Numbers	重量 Weight (g) ca	
		D	L1	L2	L3	L4	ØE	ØF	SW1					SW2
6.3	NPT 1/4		53				30		22		PVS06-F-14ANF	130		
10	NPT 3/8		62				35		24		PVS10-F-38ANF	165		

